

LIGHTING SOLUTIONS



The bright side of the ship



The bright side of the ship



PHILOSOPHY

Three things you should know about us

1

Established by experienced specialists in 1995, Lightpartner® has developed into the leading provider of marine lighting technology within only a few years.

2

As our customer, you have a range of products at your disposal that is unique in scope and quality – from the sophisticated special solution for luxury liners to the standard luminaire for container vessels.

3

We see ourselves as a creative, reliable and fair partner for shipyards, shipping companies and architects, with whom we cooperate on a basis of trust.

All of this together defines for us the new standard in marine lighting technology. We want to be measured according to this yardstick – in the future as well.

What we think about partnership

The shipping industry is characterized by fierce competition. This is why our goal has been and still is to open up new scope to our customers through a product range that is unique worldwide in terms of its extensiveness and quality: on the basis of on-schedule delivery, price competitiveness, innovativeness and strict orientation to their needs.

We help when there are problems. Unconventionally, within the shortest possible time and through personal commitment. In this way we want to return some of the trust that our customers place in us.

We are there where you need us

Shipping is international and so is LightPartner®: Thanks to our agents at all major shipbuilding centers we are within a short distance everywhere where you need us. Thus, when we talk about being close to the customer, we mean that literally.

> The name LightPartner stands for

Whatever you need, we make it possible

LightPartner sees itself as your creative partner who examines individual ideas and concepts creatively, implements them innovatively and advises you competently. From the first pencil outline of an idea to the prototype and from there all the way to the finished product, we require very little time. And finishing is carried out according to the highest quality standards:

> High-end products for high-end ships.

expertise

commitment

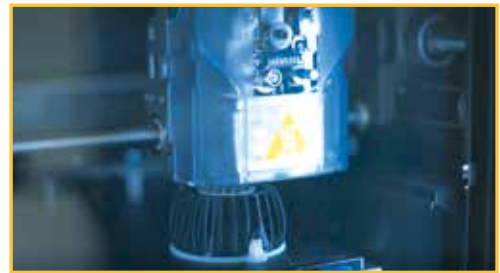
reliability

innovation

partnership

Leading in marine lighting

In addition to know-how, high quality and punctual delivery, LightPartner also offers an extremely favorable cost-benefit ratio here. Functional, low-maintenance and long-lasting, our lighting units meet all requirements of modern, cost-optimized shipping.



leading state-of-the-art technology.



REGISTER

1. FLOODLIGHTS

2. TECHNICAL AND OUTDOOR LUMINAIRES

3. CEILING LUMINAIRES

4. WALL LUMINAIRES

5. DOWNLIGHTS

6. EMERGENCY LIGHTING




















7. OFFICE AND WORKPLACE LUMINAIRES

8. ACCOMODATION LIGHTS



FLOODLIGHTS



	ST76S	8
	ST76M	9
	ST76L	10
	ST76XL	11
	ST80S	12
	ST80M	13
	ST80L	14
	ST80XL	15
	ST76 70W	16
	ST76 1x 400W HST VG	17
	ST76 1x 400W HST	18
	ST76 2x 400W HST	19
	ST76 1000W HST	20
	ST76 1X 400W Fc2	21
	VG76	22
	ST76 200W halo	23
	ST76 500W halo	24
	ST76 1000W halo	25
	ST23	26
	ST68	27

HIGH EFFICIENT LED FLOODLIGHT

ST76S



1



HIGH EFFICIENT, STAINLESS STEEL LED FLOODLIGHT FOR DECKS, HOLDS, INDUSTRIAL AREAS

Design	According to rules of maritime classification societies and relevant standards
Housing	Stainless steel, 1.4404 (AISI 316L), seamless deep drawn powder coated white (RAL9016)
Safety pane	Tempered glass, DIN 12150, partially lacquered
Mounting	Stainless steel bracket, adjustable
Cable entry	Exterior connection box, cable gland M20
Protection class	IP67
Weight	4.2 kg
Light source	2x LED array
Wattage	2x 10 W
CCT (color)	5,000 K
Luminous flux	2,000 lm
CRI	≥ 80
Voltage	110-240 V AC
Frequency	50-60 Hz

PART NO.

ST76 S 2x 17°	5101005310-001
ST76 S 2x 23°	5101005310-000
ST76 S 2x 39°	5101005310-002

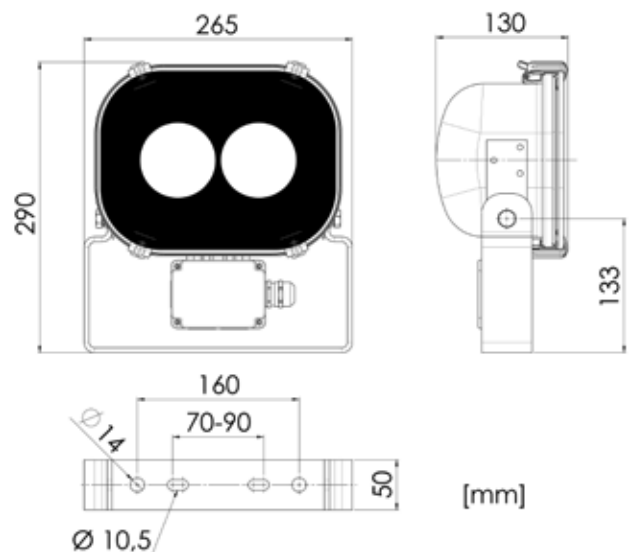
SPARE PARTS

PART NO.

Cover with frame	7902003600
Bracket	7501007100
Reflector kit 17°	7901003900
Reflector kit 23°	7901003800
Reflector kit 39°	7901004000

★ EXTRAS

- > 24 V DC execution
- > Different cable glands
- > Reflectors with different beam angles can be combined
- > Different color temperatures



HIGH EFFICIENT LED FLOODLIGHT

ST76M



1



HIGH EFFICIENT, STAINLESS STEEL LED FLOODLIGHT FOR DECKS, HOLDS, INDUSTRIAL AREAS

Design	According to rules of maritime classification societies and relevant standards
Housing	Stainless steel, 1.4404 (AISI 316L), seamless deep drawn powder coated white (RAL9016)
Safety pane	Tempered glass, DIN 12150, partially lacquered
Mounting	Stainless steel bracket, adjustable
Cable entry	Exterior connection box, cable gland M20
Protection class	IP67
Weight	7.5 kg
Light source	2x LED array
Wattage	2x 25 W
CCT (color)	5,700 K
Luminous flux	6,000 lm
CRI	≥ 80
Voltage	110-240 V AC
Frequency	50-60 Hz

PART NO.

ST76 M 2x 22°	5101005810-001
ST76 M 2x 37°	5101005810-000
ST 76 M 2x 52°	5101005810-002
ST76 M 2x 91°	5101005810-027

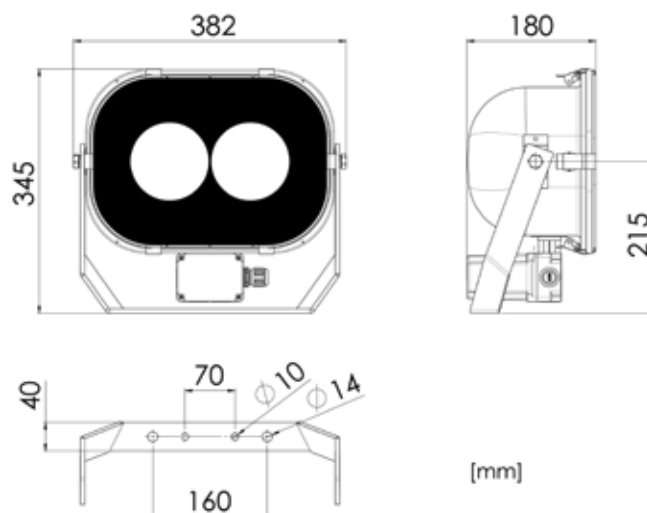
SPARE PARTS

PART NO.

Cover with frame	7902003800
Bracket	7501000300
Reflector kit 22°	7901003400
Reflector kit 37°	7901003500
Reflector kit 51°	7901003600
Reflector kit 92°	7901003700

★ EXTRAS

- > 24 V DC execution
- > Different cable glands
- > Reflectors with different beam angles can be combined
- > Different color temperatures



HIGH EFFICIENT LED FLOODLIGHT

ST76L



1

PART NO.

ST76 L 3x 22°	5101005710-001
ST76 L 3x 37°	5101005710-000
ST76 L 3x 52°	5101005710-002
ST76 L 3x 91°	5101005710-019

SPARE PARTS

PART NO.

Cover with frame	7902003500
Bracket	7501000100
Reflector kit 22°	7901003400
Reflector kit 37°	7901003500
Reflector kit 51°	7901003600
Reflector kit 92°	7901003700

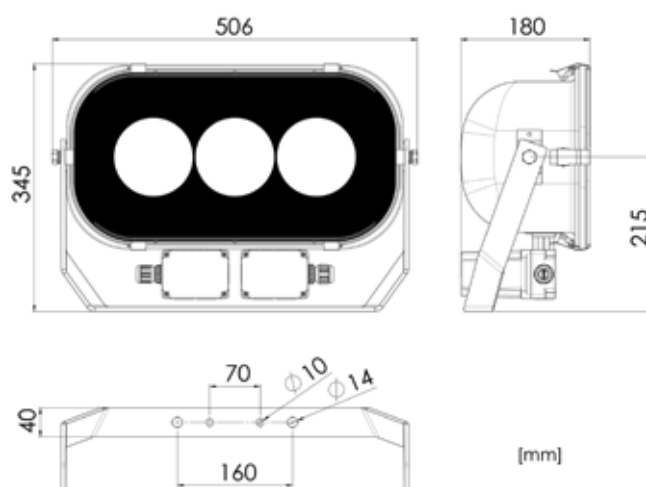
★ EXTRAS

- > 24 V DC execution
- > Different cable glands
- > Reflectors with different beam angles can be combined
- > Different color temperatures



HIGH EFFICIENT, STAINLESS STEEL LED FLOODLIGHT FOR DECKS, HOLDS, INDUSTRIAL AREAS

Design	According to rules of maritime classification societies and relevant standards
Housing	Stainless steel, 1.4404 (AISI 316L), seamless deep drawn powder coated white (RAL9016)
Safety pane	Tempered glass, DIN 12150, partially lacquered
Mounting	Stainless steel bracket, adjustable
Cable entry	Exterior connection box, cable gland M20
Protection class	IP67
Weight	9.5 kg
Light source	3x LED array
Wattage	3x 25 W
CCT (color)	5,700 K
Luminous flux	9,000 lm
CRI	≥ 80
Voltage	110-240 V AC
Frequency	50-60 Hz



HIGH EFFICIENT LED FLOODLIGHT

ST76XL



1



HIGH EFFICIENT, STAINLESS STEEL LED FLOODLIGHT FOR DECKS, HOLDS, INDUSTRIAL AREAS

Design	According to rules of maritime classification societies and relevant standards
Housing	Stainless steel, 1.4404 (AISI 316L), seamless deep drawn powder coated white (RAL9016)
Safety pane	Tempered glass, DIN 12150, partially lacquered
Mounting	Stainless steel bracket, adjustable
Cable entry	Exterior connection box, cable gland M20
Protection class	IP67
Weight	16.5 kg
Light source	4x LED array
Wattage	4x 25 W
CCT (color)	5,700 K
Luminous flux	12,000 lm
CRI	≥ 80
Voltage	110-240 V AC
Frequency	50-60 Hz

PART NO.

ST76 XL 4x 22°	5101005510-000
ST76 XL 4x 37°	5101005510-001
ST76 XL 4x 52°	5101005510-002
ST76 XL 4x 91°	5101005510-005

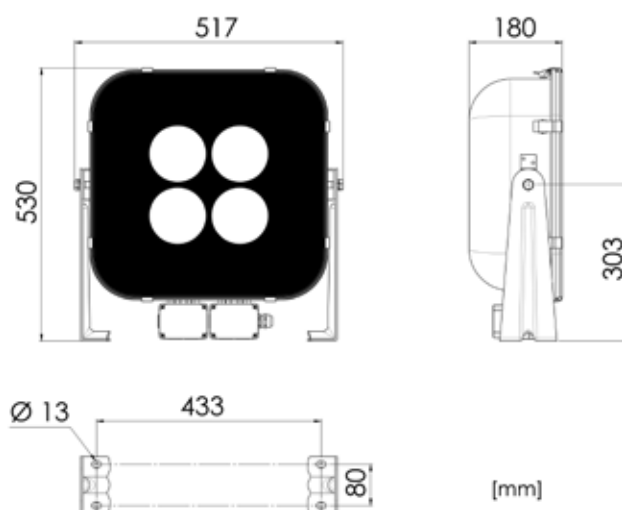
SPARE PARTS

PART NO.

Cover with frame	7902003400
Bracket	7501006200
Reflector kit 22°	7901003400
Reflector kit 37°	7901003500
Reflector kit 51°	7901003600
Reflector kit 92°	7901003700

★ EXTRAS

- > 24 V DC execution
- > Different cable glands
- > Reflectors with different beam angles can be combined
- > Different color temperatures



[mm]

HIGH POWER LED FLOODLIGHT

ST80S



1



HIGH POWER LED FLOODLIGHT FOR DECKS,
HOLDS, INDUSTRIAL AREAS AND SEAPORTS

Design	According to rules of maritime classification societies and relevant standards
Housing	Gear tray stainless steel 1.4404 (AISI 316L), powder coated RAL9016. Back side covered with opal PC hood
Safety pane	Tempered glass, DIN 12150, clear
Mounting	Stainless steel bracket, adjustable
Cable entry	IDC fast connection, 1x Cable Ø 9-14mm
Protection class	IP66/67
Weight	9.0 kg
Light source	2x LED engine
Wattage	2x 50 W
CCT (color)	5,000 K
Luminous flux	12,000 lm
Voltage	110-277 V AC
Frequency	50-60 Hz

PART NO.

ST80 S 2x 22°	5101007900-002
ST80 S 2x 37°	5101007900-001
ST80 S 2x 52°	5101007900-003
ST80 S 2x 91°	5101007900-004

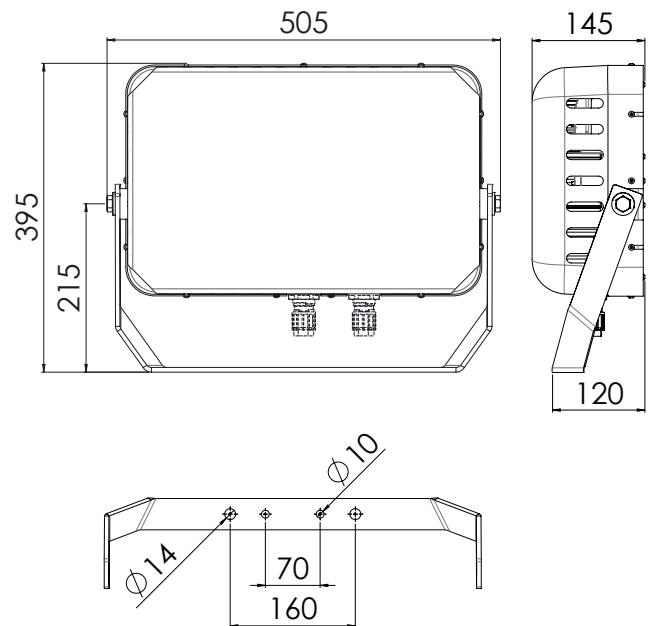
SPARE PARTS

PART NO.

PC hood	7502008000
Bracket	7501000100
Cable entry	7211004800

EXTRAS

- > Reflectors with different beam angles can be combined
- > CCT also optional in 2,700-4,000 K available
- > Cable entry: 2x IDC Fast connection, 2x cable Ø 9-14 mm
- > Power supply: preinstalled connection cable 3G2.5, 3 meters
- > Stainless steel hood



[mm]

HIGH POWER LED FLOODLIGHT

ST80M



1



HIGH POWER LED FLOODLIGHT FOR DECKS,
HOLDS, INDUSTRIAL AREAS AND SEAPORTS

Design	According to rules of maritime classification societies and relevant standards
Housing	Gear tray stainless steel 1.4404 (AISI 316L), powder coated RAL9016. Back side covered with opal PC hood
Safety pane	Tempered glass, DIN 12150, clear
Mounting	Stainless steel bracket, adjustable
Cable entry	IDC fast connection, 1x Cable Ø 9-14mm
Protection class	IP66/67
Weight	10 kg
Light source	3x LED engine
Wattage	3x 50 W
CCT (color)	5,000 K
Luminous flux	18,000 lm
Voltage	110-277 V AC
Frequency	50-60 Hz

PART NO.

ST80 M 3x 22°	5101007300-001
ST80 M 3x 37°	5101007300-006
ST80 M 3x 52°	5101007300-007
ST80 M 3x 91°	5101007300-003

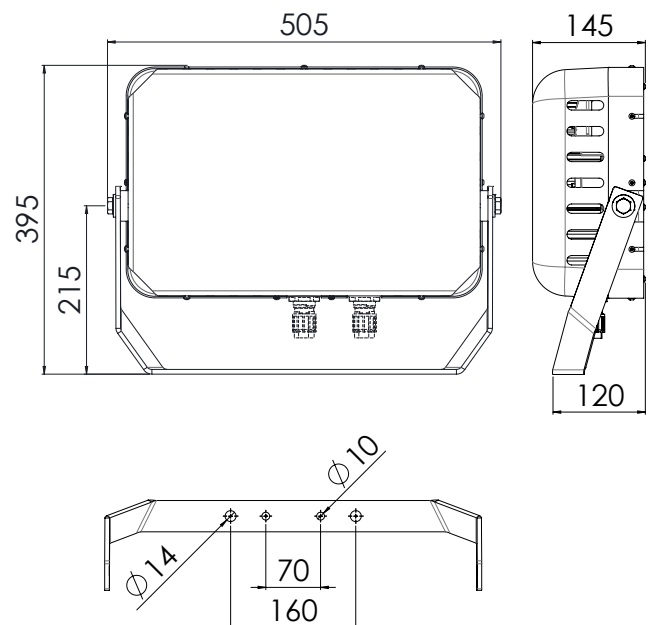
SPARE PARTS

PART NO.

PC hood	7502008000
Bracket	7501000100
Cable entry	7211004800

EXTRAS

- > Reflectors with different beam angles can be combined
- > CCT also optional in 2,700-4,000 K available
- > Cable entry: 2x IDC Fast connection, 2x cable Ø 9-14 mm
- > Power supply: preinstalled connection cable 3G2.5, 3 meters
- > Stainless steel hood



[mm]

HIGH POWER LED FLOODLIGHT

ST80L



1



HIGH POWER LED FLOODLIGHT FOR DECKS,
HOLDS, INDUSTRIAL AREAS AND SEAPORTS

Design	According to rules of maritime classification societies and relevant standards
Housing	Gear tray stainless steel 1.4404 (AISI 316L), powder coated RAL9016. Back side covered with opal PC hood
Safety pane	Tempered glass, DIN 12150, clear
Mounting	Stainless steel bracket, adjustable
Cable entry	IDC fast connection, 1x Cable Ø 9-14mm
Protection class	IP66/67
Weight	11 kg
Light source	4x LED engine
Wattage	4x 50 W
CCT (color)	5,000 K
Luminous flux	24,000 lm
Voltage	100-277 V AC
Frequency	50-60 Hz

PART NO.

ST80 L 4x 22°	5101007200-006
ST80 L 4x 37°	5101007200-003
ST80 L 4x 52°	5101007200-004
ST80 L 4x 91°	5101007200-001

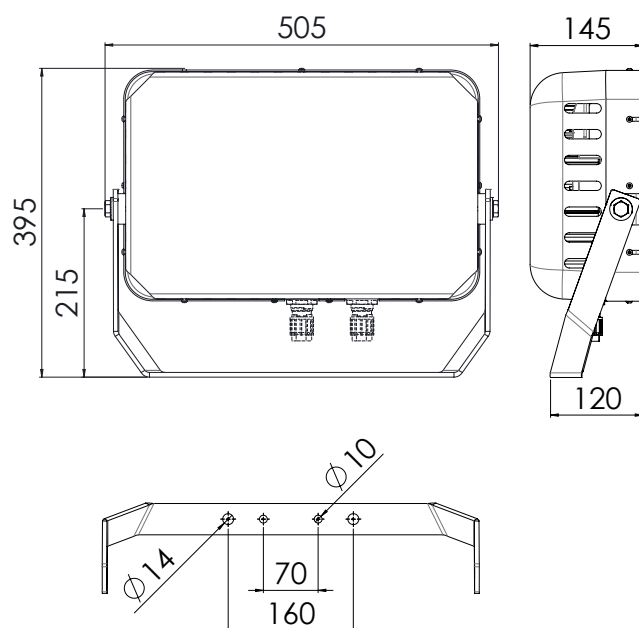
SPARE PARTS

PART NO.

PC hood	7502008000
Bracket	7501000100
Cable entry	7211004800

EXTRAS

- > Reflectors with different beam angles can be combined
- > CCT also optional in 2,700-4,000 K available
- > Cable entry: 2x IDC Fast connection, 2x cable Ø 9-14 mm
- > Power supply: preinstalled connection cable 3G2.5, 3 meters
- > Stainless steel hood



[mm]

HIGH POWER LED FLOODLIGHT

ST80XL



1



HIGH POWER LED FLOODLIGHT FOR DECKS,
HOLDS, INDUSTRIAL AREAS AND SEAPORTS

Design	According to rules of maritime classification societies and relevant standards
Housing	Gear tray stainless steel 1.4404 (AISI 316L), powder coated RAL9016. Back side covered with opal PC hood
Safety pane	Tempered glass, DIN 12150, clear
Mounting	Stainless steel bracket, adjustable
Cable entry	IDC fast connection, 1x Cable Ø 9-14mm
Protection class	IP66/67
Weight	14 kg
Light source	6x LED engine
Wattage	6x 50 W
Equivalent	400 W HST/HIT
CCT (color)	5,000 K
Luminous flux	36,000 lm
Voltage	100-277 V AC
Frequency	50-60 Hz

PART NO.

ST80 XL 6x 22°	5101006600-005
ST80 XL 6x 37°	5101006600-006
ST80 XL 6x 52°	5101006600-007
ST80 XL 6x 91°	5101006600-008

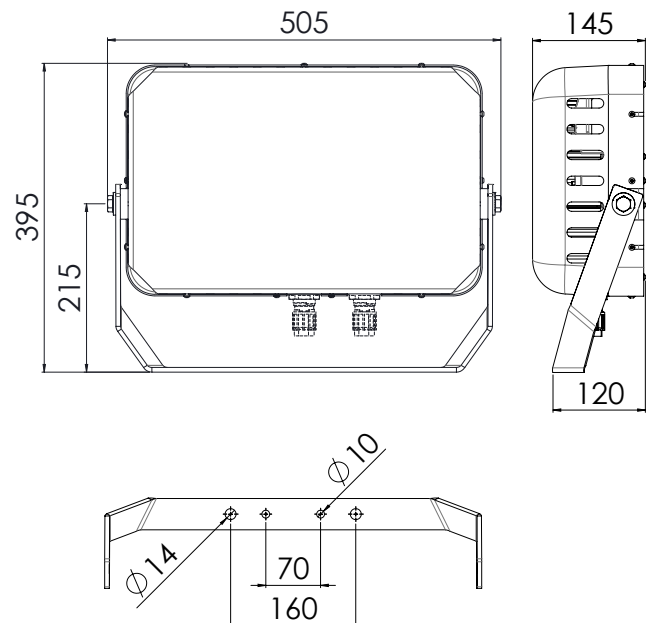
SPARE PARTS

PART NO.

PC hood	7502008000
Bracket	7501000100
Cable entry	7211004800

EXTRAS

- > Reflectors with different beam angles can be combined
- > CCT also optional in 2,700-4,000 K available
- > Cable entry: 2x IDC Fast connection, 2x cable Ø 9-14 mm
- > Power supply: preinstalled connection cable 3G2.5, 3 meters
- > Stainless steel hood



[mm]

FLOODLIGHT WITH INTEGRATED BALLAST

ST76



1



FLOODLIGHT, 1X 70 W FOR HIT-DE LAMPS WITH INTEGRATED ELECTRONIC BALLAST

Design	According to rules of maritime classification societies and relevant standards
Housing	Stainless steel, 1.4404 (AISI 316L) seamless deep drawn, powder coated white (RAL9016)
Cover	Tempered glass, DIN 12150
Mounting	Stainless steel bracket, adjustable
Reflector	Aluminium anodized, wide beam angle
Cable entry	Junction box, cable gland M20, nickel plated brass
Protection class	IP67
Weight	4.0 kg
Light source	HIT-DE lamp (included)
Lamp base	RX7s
Wattage	1x 70 W
Voltage	220-240 V AC
Frequency	50-60 Hz
Ballast	Electronic ballast (included)

PART NO.

ST76 70 W

5101004100-001

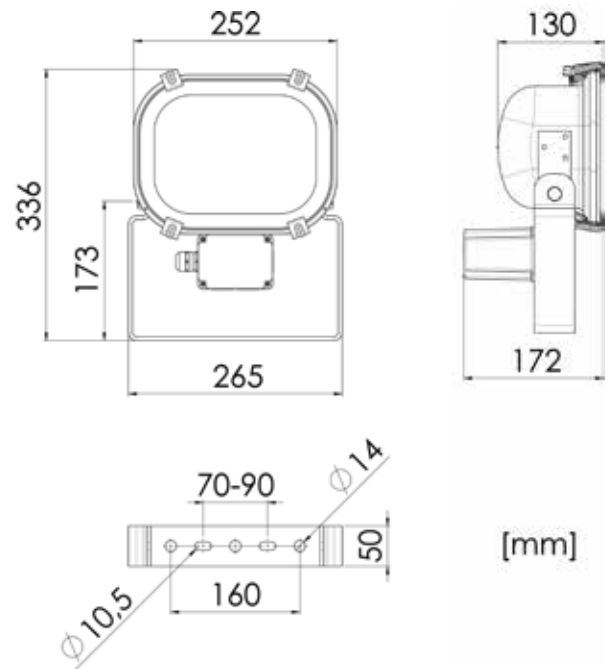
SPARE PARTS

PART NO.

Cover with frame	7902001800
Reflector	7901000200
Lamp holder RX7s	7111023000
Clamps (4pcs)	7106002400
Bracket	7501008200

★ EXTRAS

- > Different cable glands



HST/HIT FLOODLIGHT WITH INTEGRATED BALLAST

ST76



1



FLOODLIGHT, MAX. 1X 400 W FOR HST/HIT LAMPS WITH INTEGRATED BALLAST

Design	According to rules of maritime classification societies and relevant standards
Housing	Stainless steel, 1.4404 (AISI 316L) seamless deep drawn, powder coated white (RAL9016)
Cover	Tempered glass, DIN 12150
Mounting	Stainless steel bracket, adjustable
Reflector	Aluminium anodized, wide beam angle
Cable entry	Junction box, cable gland brass with earthing insert
Protection class	IP67
Light source	HST/HIT lamp (not included)
Lamp base	E40
Wattage	1x 250 W, 1x 400 W
Voltage	230 V AC
Frequency	50 Hz or 60 Hz
Ballast	Electromagnetic ballast (included)

HST/HIT 250 W

PART NO.

Ballast	Weight	
50 Hz l.p.f.	16.0 kg	5101000700-006
60 Hz l.p.f.	16.0 kg	5101000700-008
50 Hz h.p.f.c.	16.0 kg	5101000700-007
60 Hz h.p.f.c.	16.0 kg	5101000700-012

HST/HIT 400 W

PART NO.

Ballast	Weight	
50 Hz l.p.f.	18.4 kg	5101000700-005
60 Hz l.p.f.	18.4 kg	5101000700-001
50 Hz h.p.f.c.	18.4 kg	5101000700-004
60 Hz h.p.f.c.	18.4 kg	5101000700-002

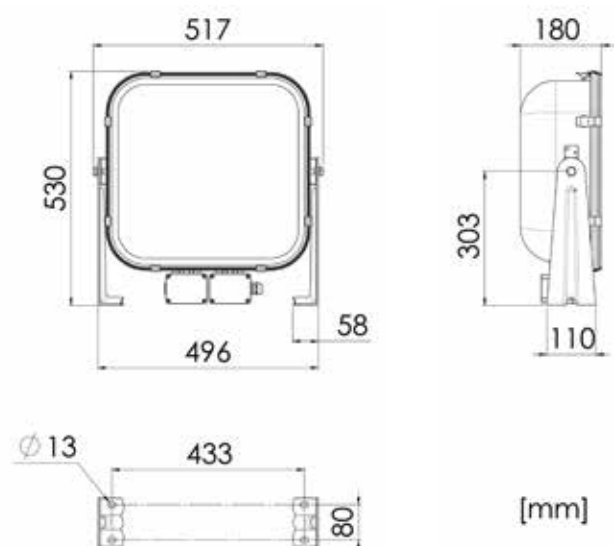
SPARE PARTS

PART NO.

Cover with frame	7902001700
Lamp holder E40	7111001400
Reflector wide beam	7901000600
Clamps (8 pcs)	7106001800
Bracket	7501006200
Box with ignitor	7104000200
Junction box	7212000800

★ EXTRAS

- > 120 V AC execution
- > Narrow beam reflector
- > Different cable glands
- > E39 lamp holder



HST/HIT FLOODLIGHT

ST76



1



FLOODLIGHT, MAX. 1X 400 W
FOR HST/HIT LAMPS

Design	According to rules of maritime classification societies and relevant standards
Housing	Stainless steel, 1.4404 (AISI 316L) seamless deep drawn, powder coated white (RAL9016)
Cover	Tempered glass, DIN 12150
Mounting	Stainless steel bracket, adjustable
Reflector	Aluminium anodized, wide or narrow beam angle
Cable entry	Junction box, cable gland brass with earthing insert
Protection class	IP67
Weight	7.3 kg
Light source	HST/HIT lamp (not included)
Lamp base	E40
Wattage	1x 250 W, 1x 400 W
Ballast	Ballast unit VG76 has to be ordered separately (see page 22)

PART NO.

Wide beam	5101000600-000
Narrow beam	5101000600-001

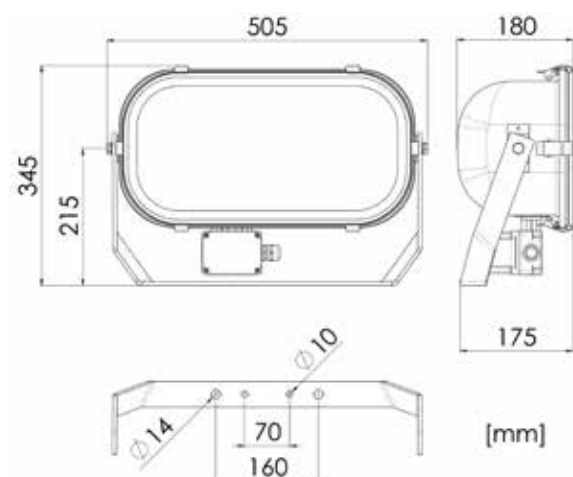
SPARE PARTS

PART NO.

Cover with frame	7902001400
Lamp holder E40	7111001400
Reflector wide beam	7901000600
Reflector narrow beam	7901001000
Clamps (6 pcs)	7106000400
Bracket	7501000100
Box with ignitor	7104000200
Junction box	7104000500

★ EXTRAS

- > Different cable glands
- > E39 lamp holder



HST/HIT FLOODLIGHT

ST76



1



FLOODLIGHT, MAX. 2X 400 W
FOR HST/HIT LAMPS

Design	According to rules of maritime classification societies and relevant standards
Housing	Stainless steel, 1.4404 (AISI 316L) seamless deep drawn, powder coated white (RAL9016)
Cover	Tempered glass, DIN 12150
Mounting	Stainless steel bracket, adjustable
Reflector	Aluminium anodized, wide or narrow beam angle
Cable entry	Junction box, cable gland brass with earthing insert
Protection class	IP67
Weight	14.0 kg
Light source	HST/HIT lamp (not included)
Lamp base	E40
Wattage	2x 250 W, 2x 400 W
Ballast	Ballast unit VG76 has to be ordered separately (see page 22)

PART NO.

Wide beam	5101000700-000
Narrow beam	5101000700-003

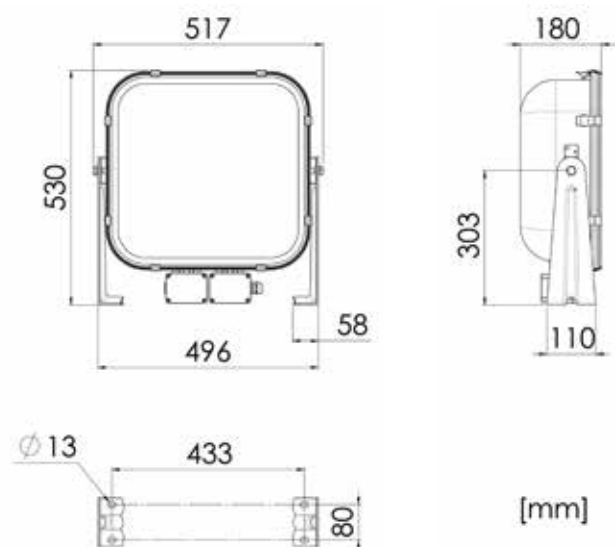
SPARE PARTS

PART NO.

Cover with frame	7902001700
Lamp holder E40	7111001400
Reflector wide beam	7901000600
Reflector narrow beam	7901001000
Clamps (8 pcs)	7106001800
Bracket	7501006200
Box with ignitor	7104000200
Junction box	7212000800

★ EXTRAS

- > Different cable glands
- > E39 lamp holder





FLOODLIGHT, MAX. 1X 1000 W
FOR HST/HIT LAMPS

Design	According to rules of maritime classification societies and relevant standards
Housing	Stainless steel, 1.4404 (AISI 316L) seamless deep drawn, powder coated white (RAL9016)
Cover	Tempered glass, DIN 12150
Mounting	Stainless steel bracket, adjustable
Reflector	Aluminium anodized, wide or narrow beam angle
Cable entry	Junction box, cable gland brass with earthing insert
Protection class	IP67
Weight	11.1 kg
Light source	HST/HIT lamp (not included)
Lamp base	E40
Wattage	1x 1000 W
Ballast	Ballast unit VG76 has to be ordered separately (see page 22)

PART NO.

Wide beam	5101001101-001
Narrow beam	5101001101-002

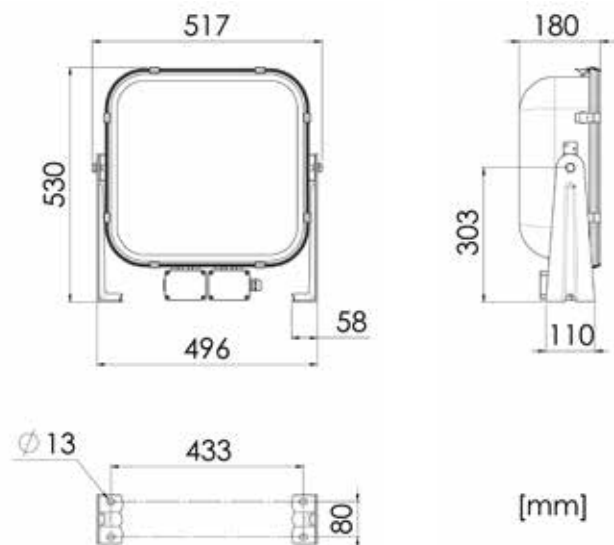
SPARE PARTS

PART NO.

Cover with frame	7902001700
Lamp holder E40	7111005300
Reflector wide beam	7901001600
Reflector narrow beam	7901001700
Clamps (8 pcs)	7106001800
Bracket	7501008300
Box with ignitor	7104000900
Junction box	7212000400

EXTRAS

- > Different cable glands
- > E39 lamp holder



FLOODLIGHT WITH INSTANT IGNITION

ST76



1



FLOODLIGHT, MAX. 1X 400 W WITH INSTANT IGNITION FOR HST-DE LAMPS

Design	According to rules of maritime classification societies and relevant standards
Housing	Stainless steel, 1.4404 (AISI 316L) seamless deep drawn, powder coated white (RAL9016)
Cover	Tempered glass, DIN 12150
Mounting	Stainless steel bracket, adjustable
Reflector	Aluminium anodized, wide beam angle
Cable entry	Junction box, cable gland brass with earthing insert
Protection class	IP67
Weight	8.5 kg
Light source	HST/HIT lamp (not included)
Lamp base	Fc2
Wattage	1x 400 W
Ballast	Ballast unit VG76 has to be ordered separately (see page 22)

PART NO.

ST76 1x 400W Fc2 5101000600-003

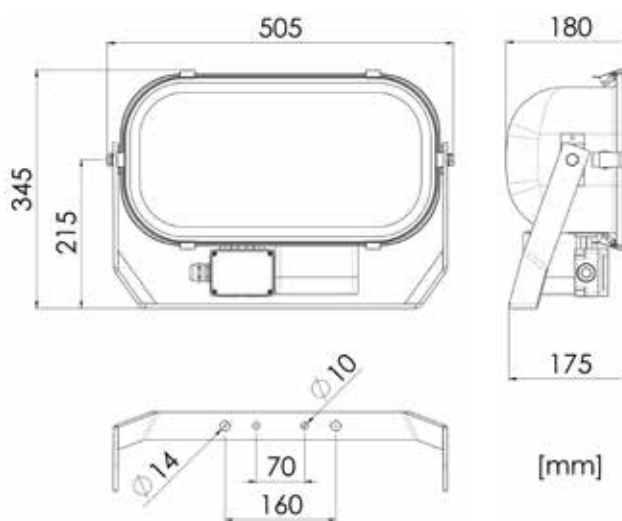
SPARE PARTS

PART NO.

Cover with frame	7902001400
Lamp holder Fc2, kit	7111023200
Reflector wide beam	7901000300
Clamps (6 pcs)	7106000400
Bracket	7501000100
Box with instant ignitor	7212002300
Junction box	7212005600

★ EXTRAS

- > Narrow beam reflector
- > Different cable glands

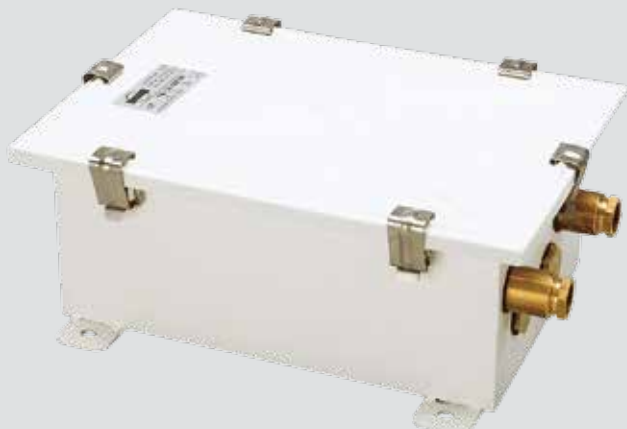


BALLAST UNIT

VG76



1



BALLAST UNIT FOR ST76 FLOODLIGHTS
WITH HIGH PRESSURE DISCHARGE LAMPS

Design	According to rules of maritime classification societies and relevant standards
Housing	Stainless steel, 1.4404 (AISI 316L), powder coated white (RAL9016)
Mounting	Mounting holes, Ø 10 mm
Cable entry	Max. 4 cable glands M24, brass with earthing insert
Ballast	Electromagnetic ballast with capacitor
Protection class	IP67
Voltage	230 V AC
Frequency	50 Hz or 60 Hz

1x 250 W		PART NO.
Type	Weight	
50 Hz	10.8 kg	5801000100
60 Hz	10.8 kg	5801000100-001

2x 250 W		PART NO.
Type	Weight	
50 Hz	18.8 kg	5801000200
60 Hz	18.8 kg	5801000200-001

1x 400 W		PART NO.
Type	Weight	
50 Hz	10.8 kg	5801000300-000
60 Hz	10.8 kg	5801000300-001

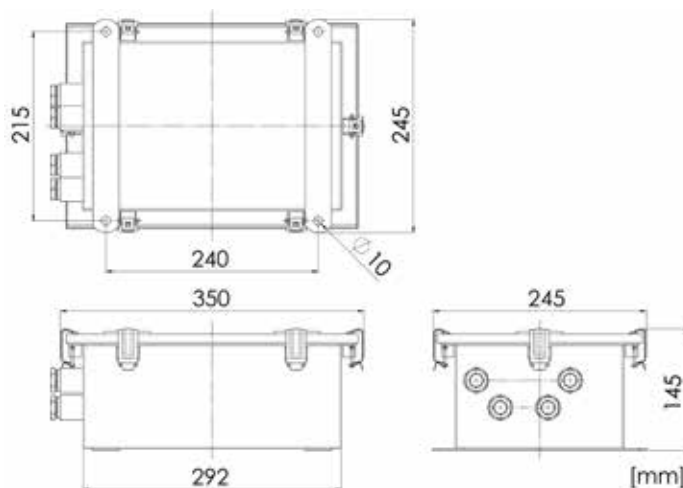
2x 400 W		PART NO.
Type	Weight	
50 Hz	18.8 kg	5801000400
60 Hz	18.8 kg	5801000400-001

1x 1000 W		PART NO.
Type	Weight	
50 Hz	15.8 kg	5801000500
60 Hz	15.8 kg	5801000500-001

SPARE PARTS	PART NO.
Clamps (6 pcs)	7106000700

★ EXTRAS

- > 120 V AC execution
- > Different cable glands



FLOODLIGHT FOR HALOGEN LAMPS

ST76



1

FLOODLIGHT, MAX. 1X 200 W
FOR HALOGEN LAMPS

Design	According to rules of maritime classification societies and relevant standards
Housing	Stainless steel, 1.4404 (AISI 316L) seamless deep drawn, powder coated white (RAL9016)
Cover	Tempered glass, DIN 12150
Mounting	Stainless steel bracket, adjustable
Reflector	Aluminium anodized, wide beam angle
Cable entry	Junction box, cable gland M20, nickel plated brass
Protection class	IP67
Weight	3.4 kg
Light source	QT-DE lamp (not included)
Lamp base	R7s
Wattage	1x 200 W
Voltage	110/240 V AC or 24 V DC
Frequency	50-60 Hz or 0 Hz

PART NO.

110 / 240 V AC	5101004400-004
24 V DC	5101004400-003

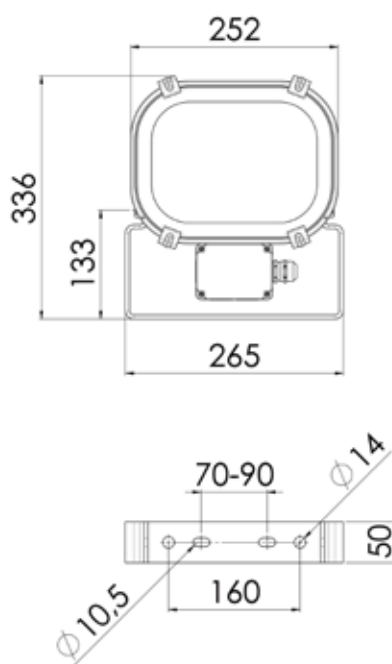
SPARE PARTS

PART NO.

Cover with frame	7902001800
Reflector wide beam	7901000200
Lamp holder RX7s	7111018800
Clamps (4 pcs)	7106002400
Bracket	7501007100
Junction box	7212005400

★ EXTRAS

- > Execution without junction box
- > Different cable glands



FLOODLIGHT FOR HALOGEN LAMPS

ST76



1



FLOODLIGHT, MAX. 1X 500 W
FOR HALOGEN LAMPS

Design	According to rules of maritime classification societies and relevant standards
Housing	Stainless steel, 1.4404 (AISI 316L) seamless deep drawn, powder coated white (RAL9016)
Cover	Tempered glass, DIN 12150
Mounting	Stainless steel bracket, adjustable
Reflector	Aluminium anodized, wide beam angle
Cable entry	Junction box, cable gland M20, nickel plated brass
Protection class	IP67
Weight	4.7 kg
Light source	QT-DE lamp (not included)
Lamp base	R7s
Wattage	1x 500 W
Voltage	110/240 V AC
Frequency	50-60 Hz

PART NO.

ST76 500W 5101004200-000

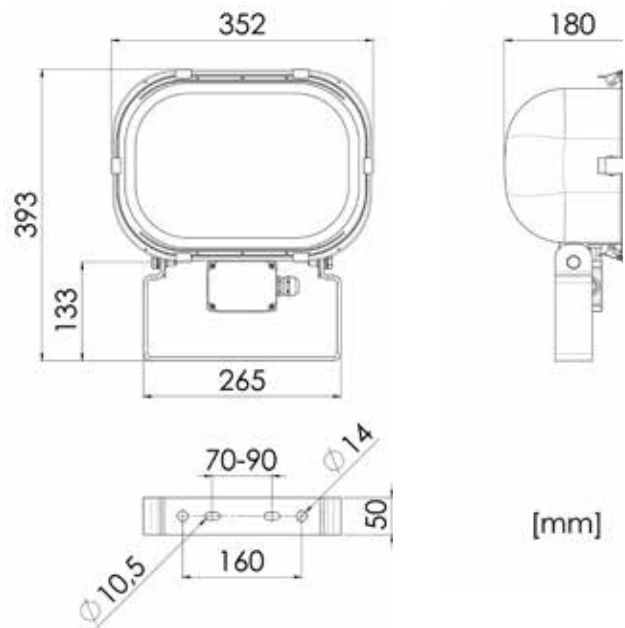
SPARE PARTS

PART NO.

Cover with frame	7902001300
Reflector wide beam	7901002400
Lamp holder R7s	7111021200
Clamps (6 pcs)	7106000400
Bracket	7501007100
Junction box	7212005400

EXTRAS

> Different cable glands



FLOODLIGHT FOR HALOGEN LAMPS

ST76



1



FLOODLIGHT, MAX. 1X 1000 W
FOR HALOGEN LAMPS

Design	According to rules of maritime classification societies and relevant standards
Housing	Stainless steel, 1.4404 (AISI 316L) seamless deep drawn, powder coated white (RAL9016)
Cover	Tempered glass, DIN 12150
Mounting	Stainless steel bracket, adjustable
Reflector	Aluminium anodized, wide or narrow beam angle
Cable entry	Junction box, cable gland PG16, nickel plated brass with earthing insert
Protection class	IP67
Weight	6.5 kg
Light source	QT-DE lamp (not included)
Lamp base	R7s
Wattage	1x 1000 W
Voltage	110/240 V AC
Frequency	50-60 Hz

PART NO.

wide beam	5101000200-000
narrow beam	5101000200-002

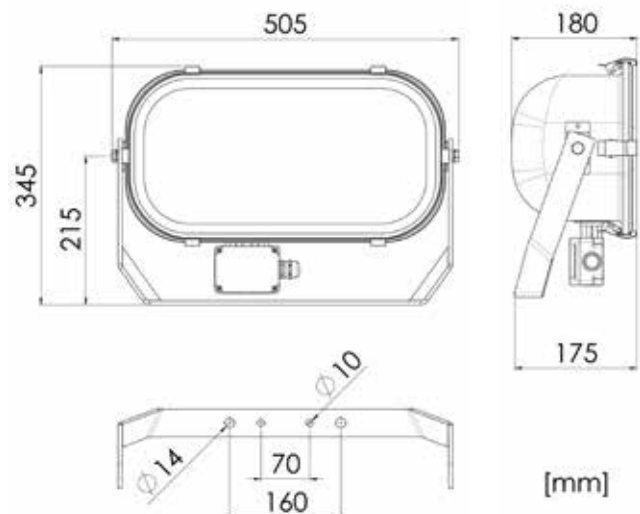
SPARE PARTS

PART NO.

Cover with frame	7902003000
Lamp holder R7s	7111001500
Reflector wide beam	7901000300
Reflector narrow beam	7901000400
Clamps (6 pcs)	7106000400
Junction box	7212000800

★ EXTRAS

- > Different cable glands
- > E40 lamp holder





EXPLOSION PROOF FLOODLIGHT,
MAX. 1X 250 W - 1X 600 W FOR HST/HIT LAMPS
WITH INTEGRATED BALLAST

Design	According to rules of maritime classification societies and relevant standards
Ex marking	II 2G Ex de IIB T2-T4 Gb II 2D Ex tb IIC T85°C-T210°C Db IP66
Housing	Copper-free aluminium with grey polyester paint finish
Cover	Borosilicate glass
Mounting	Stainless steel bracket, adjustable
Reflector	Aluminium anodized
Cable entry	2 cable entries M25 (one Ex-e cable gland, one plugged)
Connection type	Rubber cable H07RN-F 3G2.5, 20 meters
Protection class	IP66
Weight	31.0 kg
Light source	HST/HIT lamp (not included)
Lamp base	E40
Voltage	230 V AC
Frequency	50 HZ or 60 Hz

HST/HIT 250 W CODE PX 0425 PART NO.

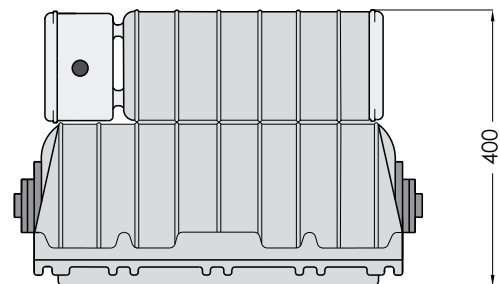
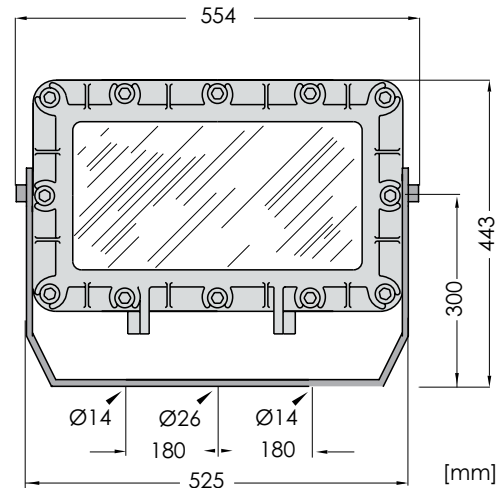
Type	TA (GAS)	Temperature	
50 Hz	T3	-20°C - +55°C	5101001700-005
	T4	-20°C - +40°C	
60 Hz	T3	-20°C - +55°C	5101001700-001
	T4	-20°C - +40°C	

HST/HIT 400 W CODE PX 0440 PART NO.

Type	TA (GAS)	Temperature	
50 Hz	T3	-20°C - +55°C	5101001700-006
	T4	-20°C - +40°C	
60 Hz	T3	-20°C - +55°C	5101001700-002
	T4	-20°C - +40°C	

HST/HIT 600 W CODE PX 0460 PART NO.

Type	TA (GAS)	Temperature	
50 Hz	T2	-20°C - +55°C	5101001700-007
	T3	-20°C - +40°C	
60 Hz	T2	-20°C - +55°C	5101001700-003
	T3	-20°C - +40°C	





WATERTIGHT FLOODLIGHT,
MAX. 1X 400 W FOR HST/HIT LAMPS

Design	According to rules of maritime classification societies and relevant standards
Housing	Stainless steel, 1.4404 (AISI 316L) seamless deep drawn, with ignitor unit on right side, powder coated grey aluminium (RAL9007)
Cover	Borosilicated glass, 19 mm thickness
Mounting	Stainless steel bracket, adjustable
Reflector	Aluminium anodized, wide beam angle
Cable entry	Cable gland M25, nickel plated brass
Connection type	Rubber cable H07RN-F 3G2.5, 30 meters
Protection class	IP68
Weight	16.0 kg
Light source	HST-HIT lamp (included)
Lamp base	E40
Wattage	1x 400 W
Ballast	Ballast unit VG76 has to be ordered separately (see page 22)

PART NO.

ST68 5101002300-005

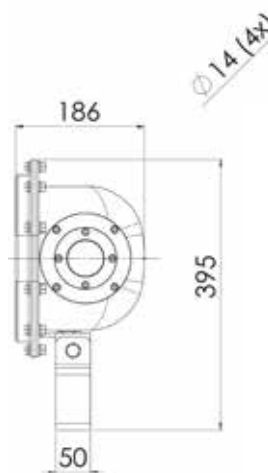
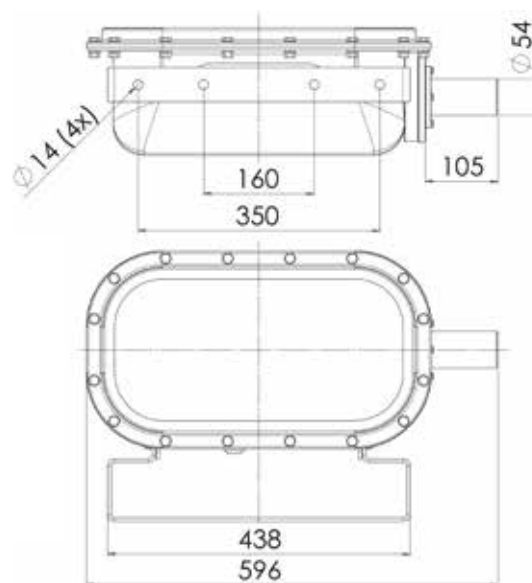
SPARE PARTS

PART NO.

Cover with frame	7902004000
Lamp holder E40	7111001400
Reflector wide beam	7901004100
Instant ignitor	7104002500












EXTRAS

- > Narrow beam reflector
- > Ignitor unit on left side of housing
- > Different lengths of connection cable







	TL Vario	30
	TL40	34
	TL09	36
	TL45	37
	TL53	38
	KL/KR61Z	40
	KR61ZF	42
	KL62	43
	EX40	44
	EX92	46
	SL97	48

PART NO.

TL Vario M

5145000500-xxx

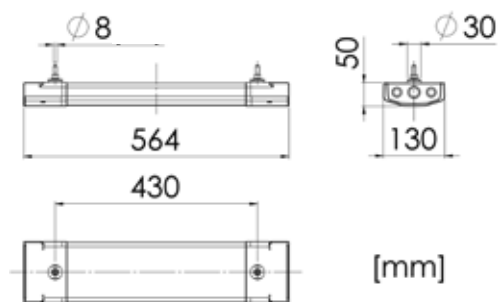
★ EXTRAS

- > Battery backup unit
- > Customized mounting brackets
- > Shock proof execution
- > Additional red or green light
- > Through wiring
- > Different cable glands
- > Different supply voltages



MULTIPURPOSE WATERTIGHT LUMINAIRE FOR
ENGINE ROOMS, WORK SHOPS, STORES,
PASSAGE WAYS AND OUTDOOR AREAS

Design	According to rules of maritime classification societies and relevant standards
Housing/cover	Opal polycarbonate, impact-proof, UV-resistant
Mounting	Different systems available, see on page 32
Cable entry	Max. 4 cable glands M20, max. 2 cable glands M25
Protection class	IP66/67
Weight	1.9 kg
Light source	Linear LP LED modules
Wattage	Max. 20 W
CCT (color)	4,000 K or 3,000 K
Luminous flux	2,200 lm
CRI	≥ 80
Voltage	220-240 V AC
Frequency	50-60 Hz





MULTIPURPOSE WATERTIGHT LUMINAIRE FOR
ENGINE ROOMS, WORK SHOPS, STORES,
PASSAGE WAYS AND OUTDOOR AREAS

Design	According to rules of maritime classification societies and relevant standards
Housing/ cover	Opal polycarbonate, impact-proof, UV-resistant
Mounting	Different systems available, see on page 32
Cable entry	Max. 4 cable glands M20, max. 2 cable glands M25
Protection class	IP66/67
Weight	2.8 kg
Light source	Linear LP LED modules
Wattage	Max. 40 W
CCT (color)	4,000 K or 3,000 K
Luminous flux	4,500 lm
CRI	≥ 80
Voltage	220-240 V AC
Frequency	50-60 Hz

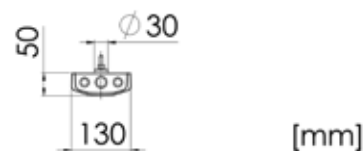
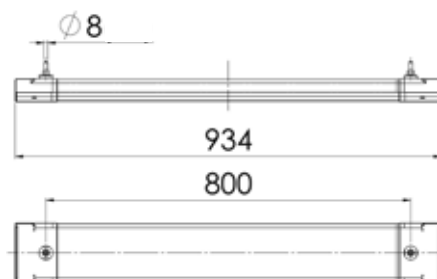
PART NO.

TL Vario L

5145000600-xxx

★ EXTRAS

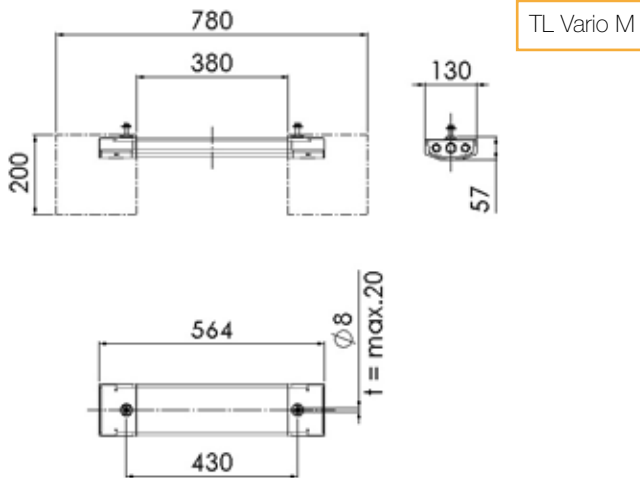
- > Battery backup unit
- > Customized mounting brackets
- > Shock proof execution
- > Additional red or green light
- > Through wiring
- > Different cable glands
- > Different supply voltages



[mm]

MULTIPURPOSE WATERTIGHT LED LUMINAIRE

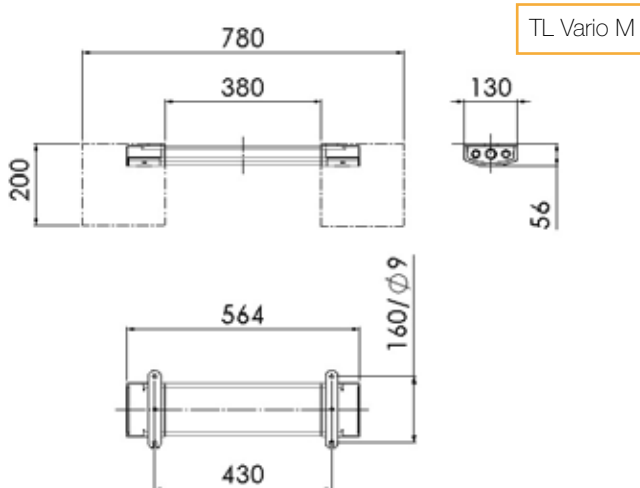
Type: Bolt kit 8 mm



Type: Bolt kit 8 mm



Type: LP160



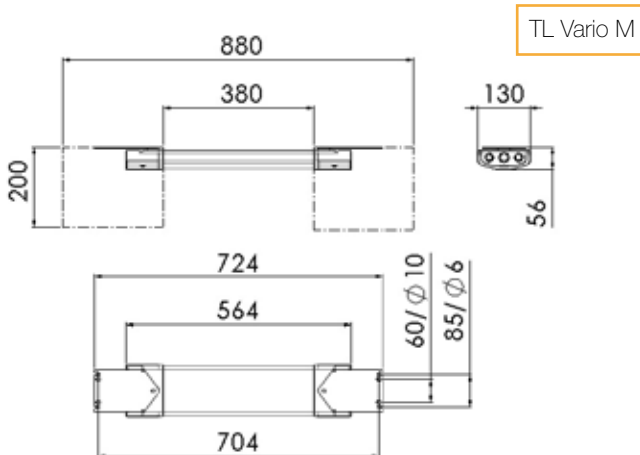
Type: LP160



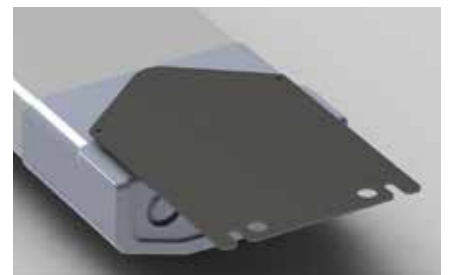
Type: LP 200



Type: LP GL



Type: LP GL







with junction box



with battery box

MULTIPURPOSE WATERTIGHT LUMINAIRE FOR
ENGINE ROOMS, WORK SHOPS, STORES,
PASSAGE WAYS AND OUTDOOR AREAS

Design	According to rules of maritime classification societies and relevant standards
Housing	Galvanized steel, seamless deep drawn, powder coated white (RAL9016)
Cover	Clear or opal polycarbonate, impact-proof, UV resistant
Mounting	Different systems available, see on page 35
Cable entry	Max. 4 cable glands M20
Protection class	IP67
Voltage	220-240 V AC
Frequency	50-60 Hz

LED SOLUTION

TL40S	5105011400-xxx
TL40L	5105011500-xxx
Light source	Linear LP LED modules with anti-glare cover
Wattage	TL40S max. 20 W TL40L max. 40 W
Luminous flux (clear cover)	TL40S 2200 lm TL40L 4500 lm
CCT (color)	4,000 K
CRI	≥ 80

FLUORESCENT SOLUTION

TL40S	5105000100-xxx
TL40L	5105000200-xxx
Light source	T8 / T5 fluorescent tubes (not included)
Lamp base	G13 / G5
Wattage	TL40S: 2x 18 W / 2x 14 W TL40L: 2x 36 W / 2x 28 W

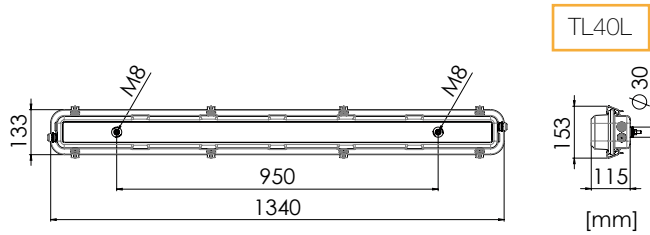
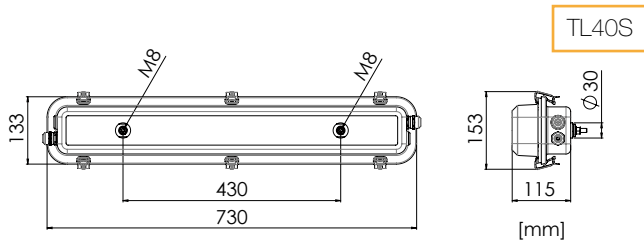
SPARE PARTS

PART NO.

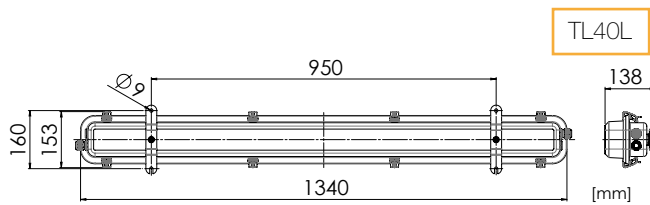
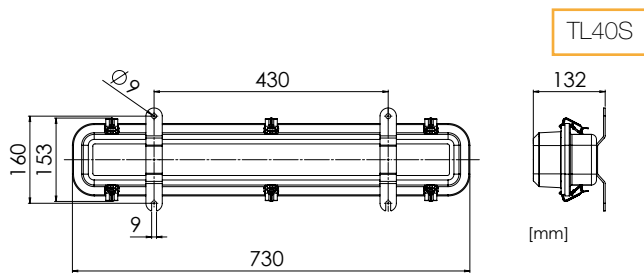
Clear cover TL40S	7112001100
Opal cover TL40S	7112001900
Clear cover TL40L	7112001200
Opal cover TL40L	7112002000
Clamps (6 pcs)	7106000300
Clamps (8 pcs)	7106002200

★ EXTRAS

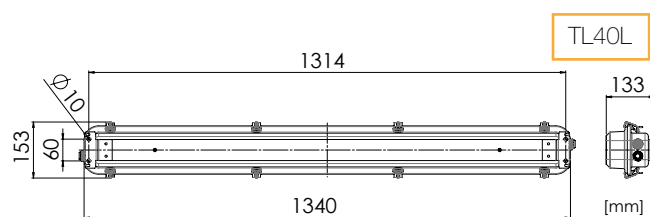
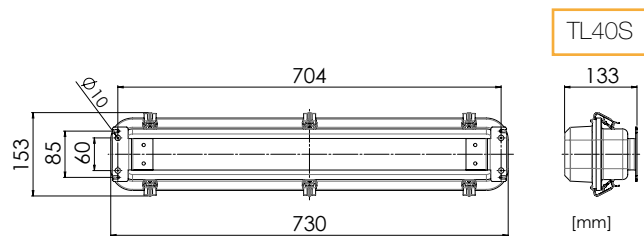
- > Stainless steel housing
- > 120 V AC execution
- > 24 V DC execution
- > Dimmable electronic ballast
- > LED mounting tray as refit for TL40 fluorescent types
- > Exterior connection box
- > Emergency battery back-up
- > Different color temperatures for LED
- > Different cable glands


Type: Bolt kit 8 mm


Type: Bolt kit 8 mm


Type: LP160


Type: LP160

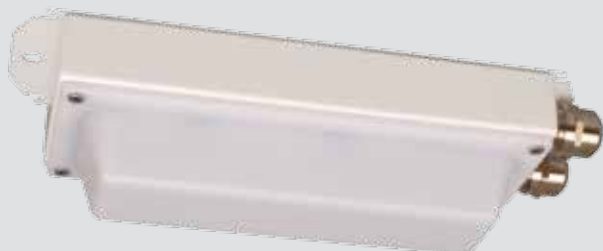

Type: LP GL


Type: LP GL



Type: Pipe brackets





MULTIPURPOSE WATERTIGHT LUMINAIRE FOR DECKS, STORES, ENGINE ROOMS

Design	According to rules of maritime classification societies and relevant standards
Housing	Galvanized steel, powder coated white (RAL9016)
Cover	LED: Opal polycarbonate, Fluorescent: Satin polycarbonate, impact-proof, UV resistant
Mounting	2 mounting holes, Ø 9 mm
Cable entry	2 cable glands M20, LED: nickel plated brass Fluorescent: PA 6
Protection class	IP67
Voltage	220-240 V AC
Frequency	50-60 Hz

LED SOLUTION

TL09	5105009800-004
Light source	LED module
Weight	1.5 kg
Wattage	Max. 4 W
CCT (color)	4,000 K
CRI	≥ 80

FLUORESCENT SOLUTION

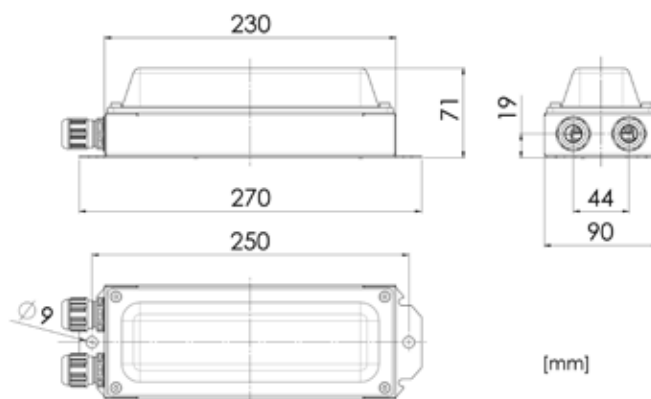
TL09	5105009300-002
Light source	Compact fluorescent lamp (not included)
Lamp base	2G7
Weight	1.6 kg
Wattage	1x 9 W

SPARE PARTS

	PART NO.
Opal cover	7925000800
Satin cover	7925000900
Lamp holder 2G7	7111022100

★ EXTRAS

- > Stainless steel housing
- > Emergency battery back-up
- > Different cable glands
- > 120 V AC execution





WATERTIGHT LUMINAIRE, SURFACE MOUNTING,
FOR DECKS, STORES AND ENGINE ROOMS

Design	According to rules of maritime classification societies and relevant standards
Housing	Reinforced polyester
Cover	Clear polycarbonate, prismatic, impact-proof
Mounting	2 mounting holes, Ø 6 mm
Cable entry	2 cable glands PG13.5, PA 6
Protection class	IP67
Weight	2.1 kg (2 x 18 W)/3.4 kg (2 x 36 W)
Light source	T8 fluorescent tubes (not included)
Lamp base	G13
Wattage	2x 18 W 2x 36 W
Voltage	220-240 V AC
Frequency	50-60 Hz

PART NO.

TL45 2x 18 W	5105005700-008
TL45 2x 36 W	5105005800-005

SPARE PARTS

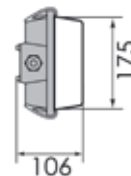
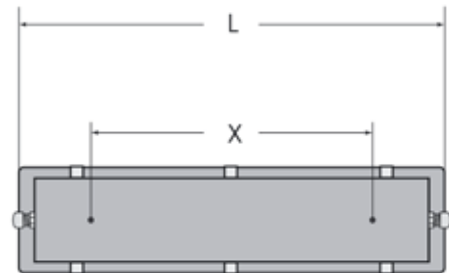
PART NO.

Cover (2x 18 W)	7112022300
Cover (2x 36 W)	7112009200
Lamp holder G13 (4 pcs)	7111000100

EXTRAS

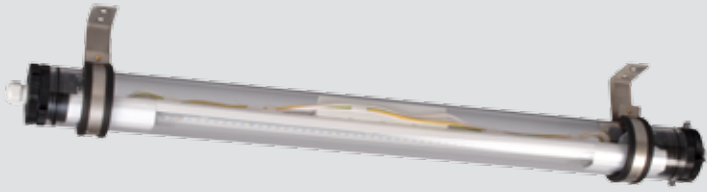
- > 120 V AC execution
- > 24 V DC execution
- > Emergency battery back-up

TYPE	L	X
2x 18 W	682	450
2x 36 W	1295	800



[mm]

TL53



PRESSURE WATERTIGHT LUMINAIRE
FOR OPEN DECKS AND DECK RAILS,
ABLE TO RESIST HEAVY SEAS

Design	According to rules of maritime classification societies and relevant standards
Housing/cover	Clear polycarbonate, impact-proof, UV-resistant
Mounting	2 stainless steel fixing clamps (not included)
Cable entry	2 cable glands M20, PA 6
Protection class	IP68
Weight	2.2 kg / 3.2 kg
Light source	Linear LP LED module
Wattage	Max. 9 W / 18 W
Equivalent	1x 14 W FL T5, 1x 28 W T5 1x 18 W FL T8, 1x 36 W T8
CCT (color)	4,000 K
Luminous flux	S: 1,200 lm, L: 2,400 lm
CRI	≥ 80
Voltage	220-240 V AC
Frequency	50-60 Hz

PART NO.

TL53S	5105011700-002
TL53L	5105011800-002

SPARE PARTS

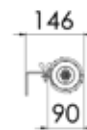
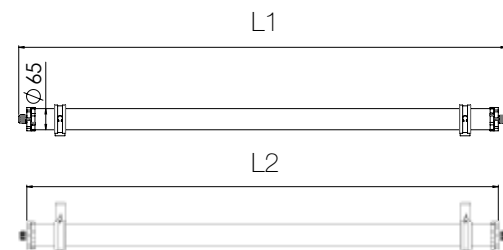
PART NO.

Clear tube TL53S	7112036500
Clear tube TL53L	7112038200
Fixing clamp	7501000401

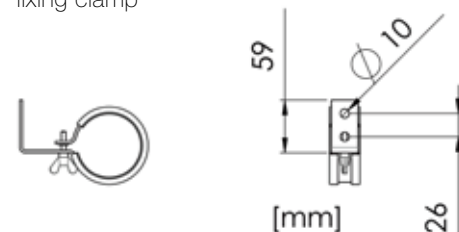
EXTRAS

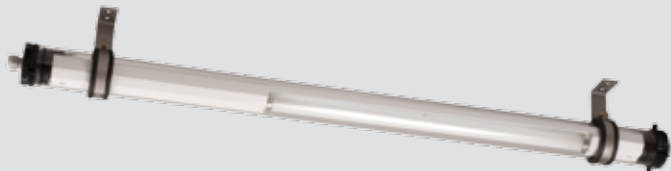
- > 24 V DC execution
- > 120 V AC execution
- > Different lengths

TYPE	L1	L2
TL53S	848	800
TL53L	1490	1448



fixing clamp

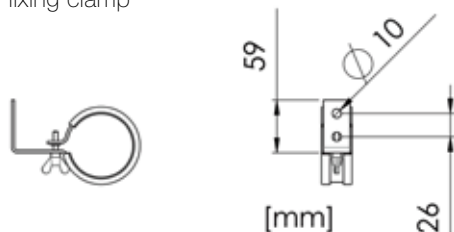




PRESSURE WATERTIGHT LUMINAIRE
FOR OPEN DECKS AND DECK RAILS,
ABLE TO RESIST HEAVY SEAS

Design	According to rules of maritime classification societies and relevant standards
Housing/cover	Clear polycarbonate, impact-proof, UV-resistant
Mounting	2 stainless steel fixing clamps (not included)
Cable entry	2 cable glands M20, PA 6
Protection class	IP68
Light source	Linear or compact fluorescent lamp (not included)
Voltage	220-240 V AC
Frequency	50-60 Hz

fixing clamp



PART NO.

Type	Lamp base	Part No.	Weight
18 W	G13	5105000702-005	2.2 kg
36 W	G13	5105000802-006	3.0 kg
24 W	G5	5105004102-001	2.0 kg
18 W	2G11	5105008400-000	1.8 kg

SPARE PARTS

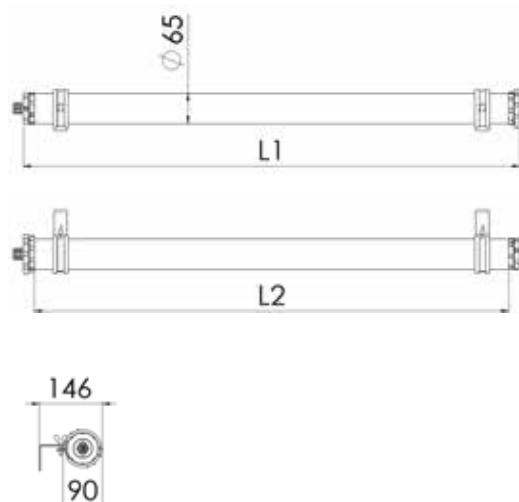
PART NO.

Fixing clamp	7501000401
Cover 18 W	7112008200
Cover 36 W	7112015900
Cover 24 W	7112032600
Cover 18 W (2G11)	7112032700

★ EXTRAS

- > 120 V AC execution
- > 24 V DC execution

TYPE	L 1	L 2
18 W	1148	1100
36 W	1758	1710
24 W	848	800
18 W (CFL)	490	442





SURFACE LUMINAIRE FOR KITCHENS, PANTRIES,
PROVISION STORES AND COLDROOMS

Design	According to rules of maritime classification societies and regulation of USPH
Base plate	Stainless steel
Cover	Clear polycarbonate, impact proof, UV-resistant
Mounting	6/8 mounting holes, Ø 5.2 mm
Cable entry	2x M20 PA6 cable glands
Protection class	IP56 / IP67
Voltage	220-240 V AC
Frequency	50-60 Hz

LED SOLUTION FOR KITCHEN AND COLDROOM

KL/KR61ZS	5107000800-xxx
KL/KR61ZL	5107001000-xxx
Light source	Linear LP LED modules with anti glare cover
Wattage	KL/KR61ZS max. 20 W KL/KR61ZL max. 40 W
Luminous flux	KL/KR61ZS 2,200 lm KL/KR61ZL 4,500 lm
CCT (color)	4,000 K
CRI	≥ 80

FLUORESCENT SOLUTION FOR KITCHEN

KL61ZS	51060007x0-xxx
KL61ZL	51060008x0-xxx
Light source	T8/T5 fluorescent tubes (not included)
Wattage	KL61ZS: 2x 18 W / 2x 14 W KL61ZL: 2x 36 W / 2x 28 W

FLUORESCENT SOLUTION FOR COLDROOM

KL61ZS	51060007x0-xxx
KL61ZL	51060008x0-xxx
Light source	T5 fluorescent tubes (not included)
Wattage	KR61ZS: 2x 24 W KR61ZL: 2x 50 W

SPARE PARTS

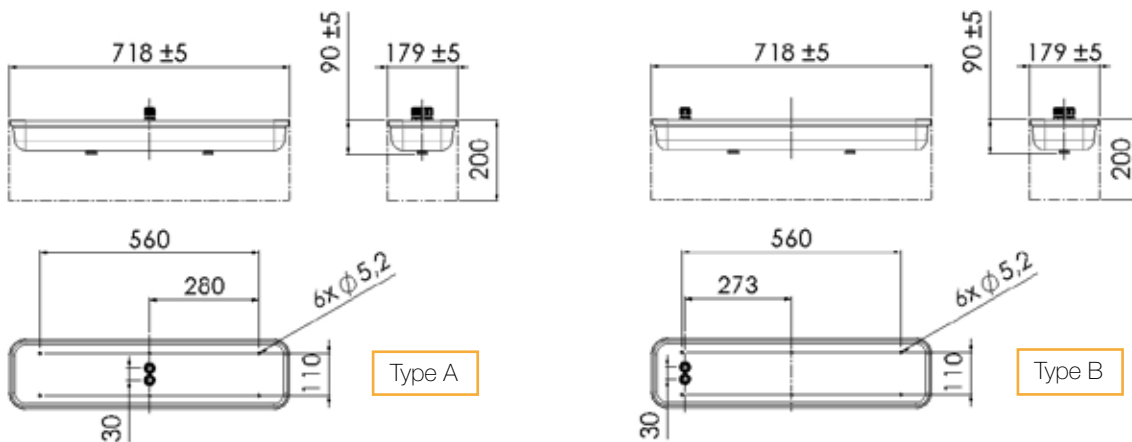
	PART NO.
Clear cover KL/KR61ZS	7112038300
Clear cover KL/KR61ZL	7112020000
Mounting kit for lamp cover (6 pcs)	7508002800
Gasket KL/KR61ZS	7301007600
Gasket KL/KR61ZL	7301007700

★ EXTRAS

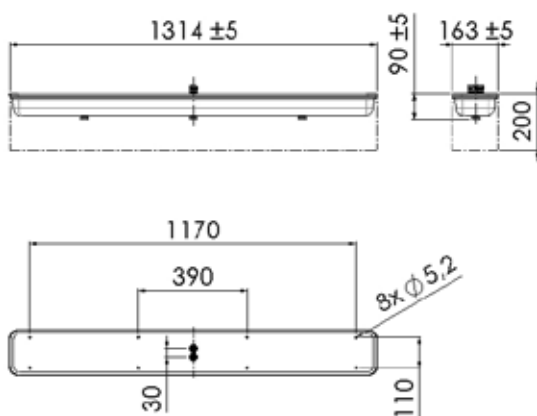
- > 120 V AC execution
- > 24 V DC execution
- > LED mounting tray as refit for KL/KR61Z fluorescent types
- > Different color temperatures on request for LED
- > Different cable glands



KL/KR61ZS [mm]



KL/KR61ZL [mm]



FAMILY	WATTAGE	LAMP BASE	PART NO.	APPLICATION	CABLE ENTRY	WEIGHT
KL/KR61ZS	max. 20 W	LED	5107000800-020	Kitchen and coldroom	Type A	3.0 kg
KL/KR61ZL	max. 40 W	LED	5107001000-007	Kitchen and coldroom	-	5.5 kg
KL61ZS	2x 14 W	G5	5106000700-041	Kitchen	Type A	2.7 kg
KL61ZS	2x 18 W	G13	5106000710-010	Kitchen	Type A	3.0 kg
KL61ZL	2x 28 W	G5	5106000800-020	Kitchen	-	5.0 kg
KL61ZL	2x 36 W	G13	5106000810-005	Kitchen	-	5.1 kg
KR61ZS	2x 24 W	G5	5106000700-042	Coldroom	Type A	2.7 kg
KR61ZL	2x 50 W	G5	5106000800-021	Coldroom	-	5.5 kg

KR61ZF



SUPERFLAT SURFACE LUMINAIRE FOR KITCHENS, PANTRIES, PROVISION STORES AND COLDROOMS

Design	According to rules of maritime classification societies and regulation of USPH
Base plate	Stainless steel
Cover	Clear polycarbonate, impact proof, UV-resistant
Mounting	6 mounting holes, Ø 5.2 mm
Cable entry	2x M20 PA6 cable glands
Protection class	IP56
Weight	2.8 kg
Light source	Linear LP LED modules
Wattage	Max. 20 W
Equivalent	2x 14 W FL T5 2x 18 W FL T8
CCT (color)	4,000 K
Luminous flux	2,200 lm
CRI	≥ 80
Voltage	220-240 V AC
Frequency	50-60 Hz

PART NO.

KR61ZF 5107001600-001

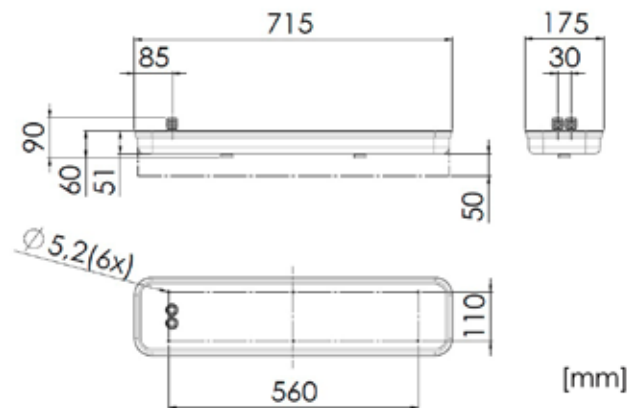
SPARE PARTS

PART NO.

Clear cover kit with screws 7112026900
Gasket 7301000200

EXTRAS

- > 120 V AC execution
- > 24 V DC execution
- > Different cable glands



KITCHEN LUMINAIRE, RECESSED

KL62



2

PART NO.

KL62 5106000500-000

SPARE PARTS

PART NO.

Clear cover	7112015500
Mounting kit for lamp cover (6 pcs)	7508000100
Gasket	7301000200
Lamp holder G13	7111012600

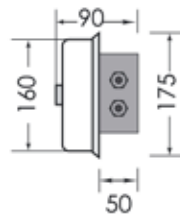
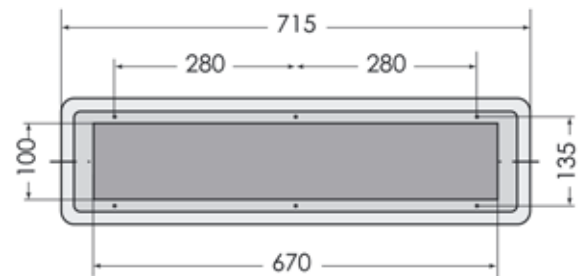
★ EXTRAS

- > 120 V AC execution
- > Emergency battery back-up



RECESSED MOUNTED LUMINAIRE FOR KITCHENS,
PANTRIES, PROVISION STORES

Design	According to rules of maritime classification societies and regulation of USPH
Housing	Stainless steel, powder coated white (RAL9016)
Cover	Clear polycarbonate, impact proof
Mounting	6 mounting holes, Ø 5 mm
Cable entry	2 cable glands PG13.5, PA 6
Protection class	IP55
Weight	3.8 kg
Light source	T8 fluorescent tubes (not included)
Wattage	2x 18 W
Voltage	220-240 V AC
Frequency	50-60 Hz



[mm]

EXPLOSION PROOF LED LUMINAIRE,
SURFACE MOUNTING, FOR ZONE 1/2

Design	According to rules of maritime classification societies and relevant standards
Ex marking	II 2G Ex eb mb op is IIC T5 Gb II 2D Ex tb op is IIIC T55°C or T70°C Db
Housing	Stainless steel, powder coated white (RAL9016)
Cover	Clear polycarbonate
Mounting	LP160 brackets
Cable entry	2x M20 / EE X-E
Protection class	IP67
ta	-40°C ... +45°C
Weight	4.6 kg / 4.8 kg (BU)
Light source	Linear LED modules
Wattage	Max. 22 W
CCT (color)	4,000 K
Luminous flux	2,100 lm
CRI	≥ 80
Voltage	120-240 V AC
Frequency	50-60 Hz

PART NO.

Family	Part No.	Cable gland	Temperature
EX40S	5108005000-001	1 M20 PA	-40°C...+45°C
EX40S	5108005000-004	1 M20 BR	-40°C...+45°C
EX40S BU	5108005000-006	1 M20 PA	5°C...+45°C
EX40S BU	5108005000-007	1 M20 BR	5°C...+45°C

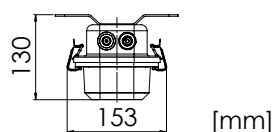
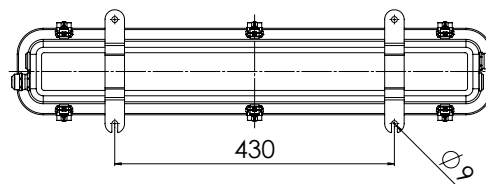
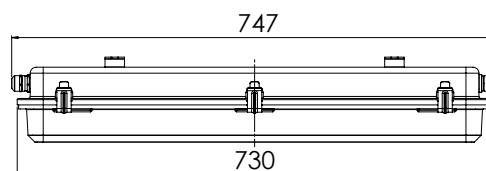
SPARE PARTS

PART NO.

Clear cover	7112001100
-------------	------------

★ EXTRAS

- > Different temperature ranges
- > Different light outputs
- > Through wiring (for EX40S)
- > LP GL mounting



[mm]



EXPLOSION PROOF LED LUMINAIRE,
SURFACE MOUNTING, FOR ZONE 1/2

Design	According to rules of maritime classification societies and relevant standards
Ex marking	II 2G Ex eb mb op is IIC T5 Gb II 2D Ex tb op is IIIC T55°C or T70°C Db
Housing	Stainless steel, powder coated white (RAL9016)
Cover	Clear polycarbonate
Mounting	LP160 brackets
Cable entry	2x M20 / EE X-E
Protection class	IP67
ta	-40°C ... +45°C
Weight	8 kg / 8.2 kg (BU)
Light source	Linear LED modules
Wattage	Max. 40 W
CCT (color)	4,000 K
Luminous flux	4,200 lm
CRI	≥ 80
Voltage	120-240 V AC
Frequency	50-60 Hz

PART NO.

Family	Part No.	Cable gland	Temperature
EX40L	5108005100-001	2 M20 PA	-40°C...+45°C
EX40L	5108005100-005	2 M20 BR	-40°C...+45°C
EX40L BU	5108005100-006	2 M20 PA	5°C...+45°C
EX40L BU	5108005100-007	2 M20 BR	5°C...+45°C

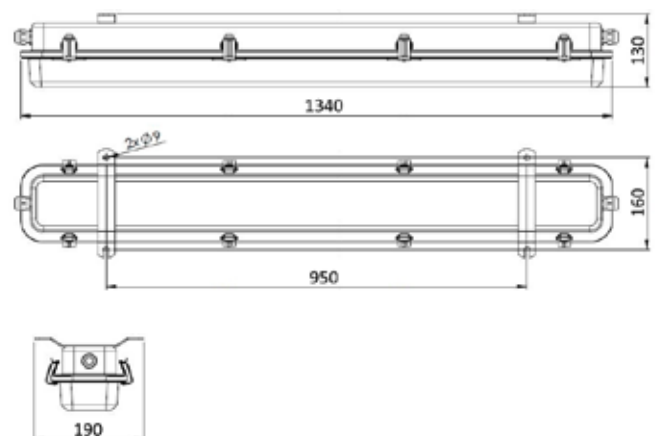
SPARE PARTS

PART NO.

Clear cover	7112001200
-------------	------------

EXTRAS

- > Different temperature ranges
- > Different light outputs
- > Through wiring
- > LP GL mounting





EXPLOSION PROOF LED LUMINAIRE,
SURFACE MOUNTING, FOR ZONE 1/2

Design	According to rules of maritime classification societies and relevant standards
Ex marking	II 2G Ex db eb mb op is IIC T4 Gb II 2D Ex tb IIIC T80°C Db
Housing	Reinforced polyester
Cover	Clear polycarbonate, impact proof
Mounting	2 screw threads M8
Cable entry	1 Ex cable gland M25, 1 Ex blind plug M25
Protection class	IP66
ta	-20°C - +50°C
Weight	6.9 kg / 10.7 kg
Light source	Linear LED modules
Luminous flux	S: 2,300 lm, L: 4,330 lm
Wattage	2x 13 W, 4x 13 W
Voltage	110-240 V AC
Frequency	50-60 Hz

PART NO.

EX92 2x 13 W	5108003500-001
EX92 4x 13 W	5108003900-001

SPARE PARTS

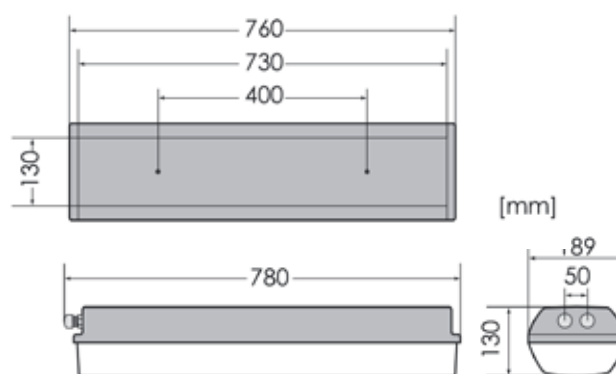
PART NO.

Clear cover (2x 13 W)	7112005500
Clear cover (4x 13 W)	7112005600

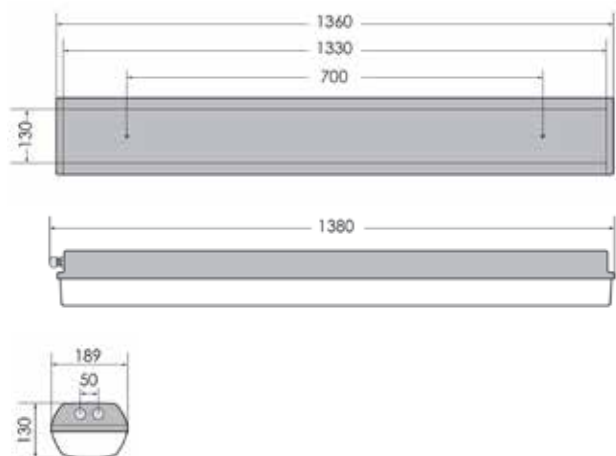
EXTRAS

- > Different fixing systems
- > Emergency battery back-up

2x 13 W



4x 13 W





EXPLOSION PROOF LUMINAIRE,
SURFACE MOUNTING, FOR ZONE 1/2

Design	According to rules of maritime classification societies and relevant standards
Ex marking	II 2G Ex db eb mb op is IIC T4 Gb II 2D Ex tb IIIC T80°C Db
Housing	Reinforced polyester
Cover	Clear polycarbonate, impact proof
Mounting	2 screw threads M8
Cable entry	1 Ex cable gland M25, 1 Ex blind plug M25
Protection class	IP66
ta	-20°C - +50°C
Weight	5.1 kg / 7.3 kg
Light source	T8 fluorescent tubes (not included)
Luminous flux	2,300 lm
Wattage	2x 18 W, 2x 36 W
Voltage	110-240 V AC
Frequency	50/60 Hz

PART NO.

EX92 2x 18 W	5108000100
EX92 2x 36 W	5108000200

SPARE PARTS

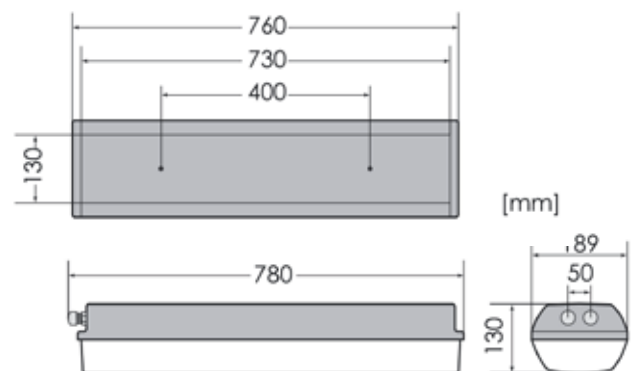
PART NO.

Clear cover (2x 18 W)	7112005500
Clear cover (2x 36 W)	7112005600

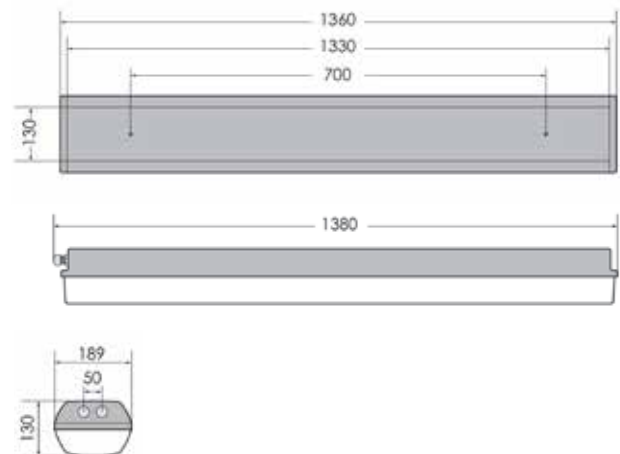
EXTRAS

- > Different fixing systems
- > Emergency battery back-up

2x 18 W



2x 36 W



SL97



Fullmoon

Halfmoon

Grid

DECORATIVE, STAINLESS STEEL,
WATERTIGHT WALL LIGHT FOR OPEN DECKS

Design	According to rules of maritime classification societies and relevant standards
Housing	Stainless steel, powder coated white (RAL9016)
Cover	Opal polycarbonate, impact proof, UV-resistant
Mounting	4 mounting holes, Ø 8.7 mm
Cable entry	2x grommets
Protection class	IP67
Weight	1.7 kg
Voltage	220-240 V AC
Frequency	50/60 Hz

LED SOLUTION

SL97 with fullmoon	5127011100-007
SL97 with halfmoon	5127011100-008
Light source	Linear LP LED module
Wattage	Max. 6 W
Luminous flux	Fullmoon 450 lm Halfmoon 300 lm
CCT (color)	4,000 K
CRI	≥ 80

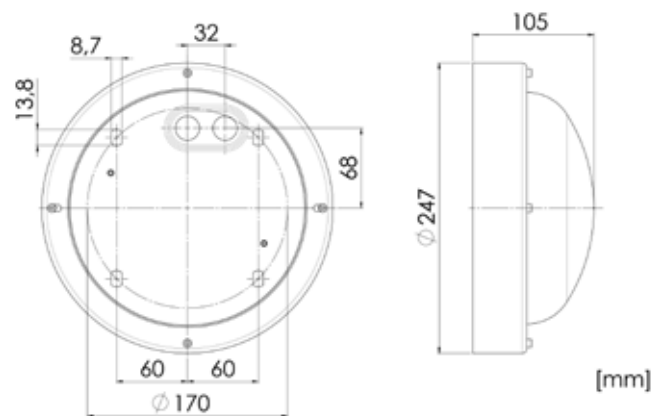
FLUORESCENT SOLUTION

SL97 with fullmoon	5127000200-049
SL97 with halfmoon	5127000200-045
SL97 with grid	5127000200-047
Lamp base	G24q-2
Light source	Compact fluorescent lamp (not included)
Wattage	1x 18 W

SPARE PARTS

PART NO.

Fullmoon cover	7112006200
Halfmoon cover	7112007300
Grid	7112015800
Lamp holder G24q-2	7111016200


















[mm]







	DE02	52
	DE16XS	53
	DE16S/L	54
	DE29	55
	DE29S	56
	DE29XS	57
	DE38	58
	DE60	59
	DE95 DCC	60
	DE22	61
	DA FLEX	62
	DA16FXS	64
	DA16FS/L	65
	DA110	66
	DA30	67



RECESSED MOUNTED CEILING LUMINAIRE
FOR CABINS, DINING ROOMS AND
ACCOMMODATION AREAS

Design	According to rules of maritime classification societies and relevant standards
Housing	Galvanized steel, powder coated white (RAL9016)
Trim ring	Steel, powder coated white (RAL9016)
Diffuser	Opal polycarbonate, impact-proof
Mounting	8 mounting holes, \varnothing 4 mm
Cable entry	1 inlet for cables max. \varnothing 11 mm
Protection class	IP20 / IP44 in conjunction with ceiling
Weight	1.5 kg / 0.9 kg
Light source	Incandescent or compact fluorescent lamp (not included)
Wattage	2x 9 W (2G7) / 1x max. 60 W (E27)
Lamp base	2G7 / E27
Voltage	220-240 V AC
Frequency	50-60 Hz

PART NO.

DE02 2G7	5111001500-016
DE02 E27	5111001600-001

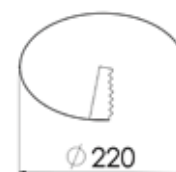
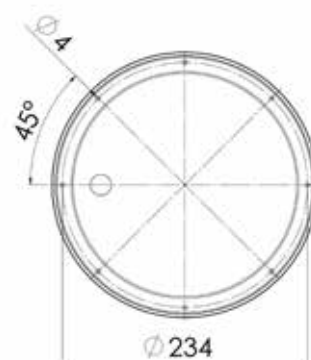
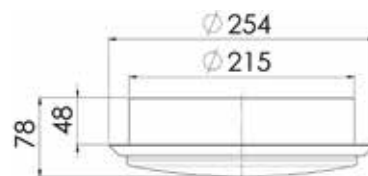
SPARE PARTS

PART NO.

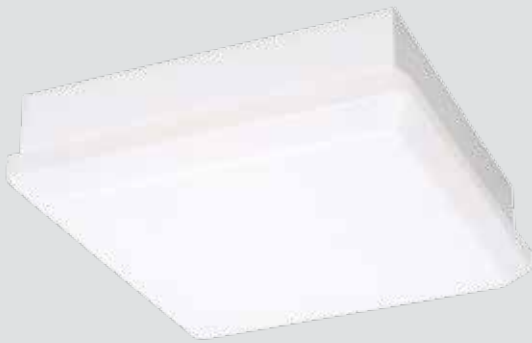
Trim ring RAL9016	7512000400
Diffuser	7112007500

EXTRAS

- > 120 V AC execution
- > B0-execution
- > Chrome or gold plated trim ring
- > Different cable entries
- > Different wattages

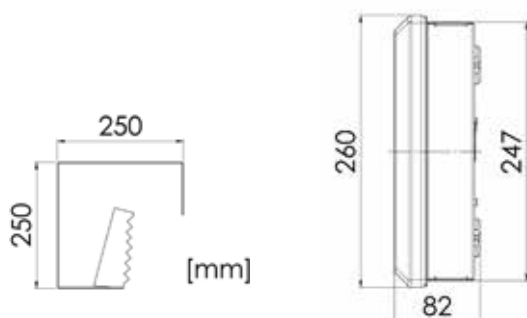


[mm]



RECESSED MOUNTED CEILING LUMINAIRE
FOR PASSAGE WAYS, DINING ROOMS AND
ACCOMMODATION AREAS

Design	According to rules of maritime classification societies and relevant standards
Housing	Galvanized steel, powder coated white (RAL9016)
Diffuser	Opal polycarbonate, impact-proof
Mounting	4 mounting holes, \varnothing 5.5 mm
Cable entry	4 inlets for cables max. \varnothing 11 mm
Protection class	IP30 / IP44 in conjunction with ceiling
Voltage	220-240 V AC
Frequency	50-60 Hz



LED SOLUTION

DE16XS	5111011100-002
Light source	LED
Wattage	Max. 8 W
CCT (color)	4,000 K
CRI	\geq 80
Weight	1.1 kg

FLUORESCENT SOLUTION

DE16XS	5111001300-019
Light source	Compact fluorescent lamp (not included)
Wattage	2x 9 W
Lamp base	2G7
Weight	2.3 kg

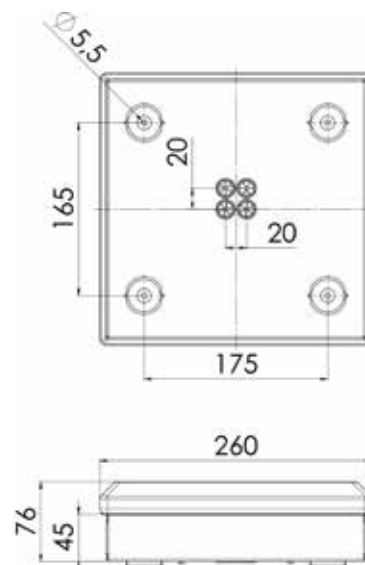
SPARE PARTS

PART NO.

Diffuser	7112004700
Lamp holder 2G7	7111023400

★ EXTRAS

- > 120 V AC execution
- > B0-execution
- > Different cable entries





★ LED SOLUTION

DE16S	5111008600-xxx
DE16L	5111008700-xxx
Light source	Linear LP LED modules
Wattage	Max. 20 W / max. 40 W
CCT (color)	3,000 K or 4,000 K
Luminous flux	DE16S: 1,500 lm DE16L: 3,100 lm
CRI	≥ 80
Weight	3.1 kg (DE16S) 5.5 kg (DE16L)

✎ FLUORESCENT SOLUTION

DE16 2x 18 W	5111000100-046
DE16 2x 36 W	5111000800-023
Light source	T8 fluorescent tubes (not included)
Wattage	2x 18 W 2x 36 W
Lamp base	G13
Weight	3.1 kg (2x 18 W) 5.5 kg (2x 36 W)

🔧 SPARE PARTS

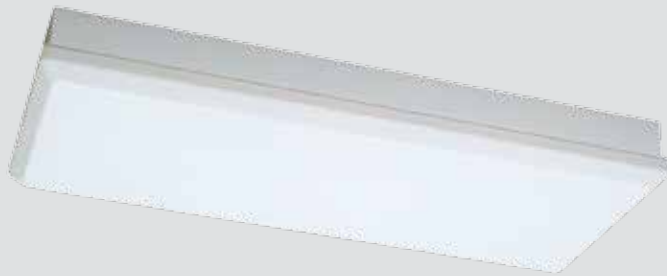
PART NO.

DE16S cover	7112000600
DE16L cover	7112000700

★ EXTRAS

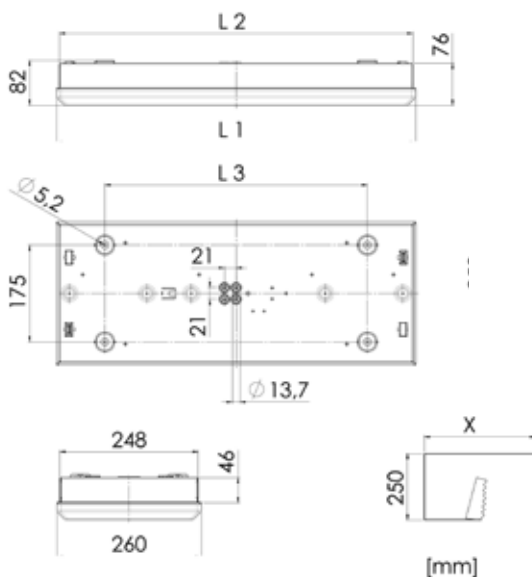
- > 120 V AC execution
- > 24 V DC execution
- > Dimmable
- > Emergency battery back-up
- > Different fitting systems

TYPE	L1	L2	L3	X
DE16S	648	634	475	635
DE16L	1260	1244	950	1245



RECESSED MOUNTED CEILING LUMINAIRE
FOR PASSAGE WAYS, ACCOMMODATION AREAS
AND CORRIDORS

Design	According to rules of maritime classification societies and relevant standards
Housing	Galvanized steel, powder coated white (RAL9016)
Diffuser	Opal polycarbonate, impact-proof
Mounting	4 mounting holes, Ø 5.2 mm
Cable entry	4 inlets for cables max. Ø 11 mm
Protection class	IP30 / IP44 in conjunction with ceiling
Voltage	220-240 V AC
Frequency	50-60 Hz

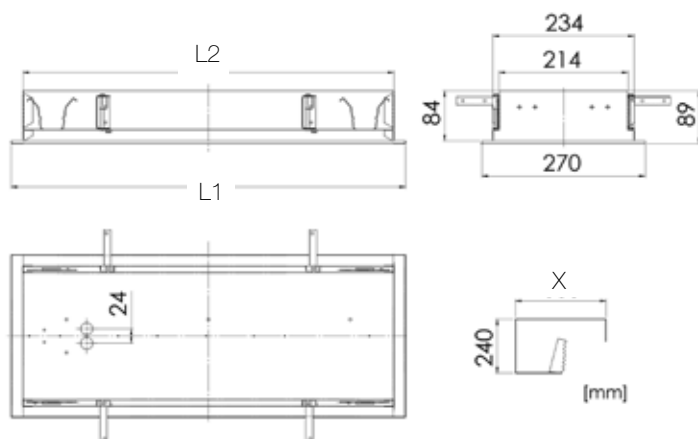


DE29



RECESSED MOUNTED CEILING LUMINAIRE
FOR ACCOMMODATION AND PUBLIC AREAS

Design	According to rules of maritime classification societies and relevant standards
Housing	Galvanized steel, powder coated white (RAL9016)
Diffuser	Clear polycarbonate with ice crystal structure
Mounting	Mounting set for ceilings 23-55 mm
Cable entry	2 cable entries, Ø 20 mm
Protection class	IP20 / IP44 in conjunction with ceiling, IP20 with louver
Voltage	220-240 V AC
Frequency	50-60 Hz



LED SOLUTION

DE29S	5111009110-xxx
DE29L	5111009010-xxx
Light source	Linear LP LED modules
Wattage	Max. 20 W / max. 40 W
CCT (color)	3,000 K or 4,000 K
Luminous flux	DE29S: 1,500 lm DE29L: 3,100 lm
CRI	≥ 80
Weight	4.0 kg (DE29S) 7.0 kg (DE29L)

FLUORESCENT SOLUTION

DE29 2x 18 W	5111005400-023
DE29 2x 36 W	5111005900-013
Light source	T8 fluorescent tubes (not included)
Wattage	2x 18 W 2x 36 W
Lamp base	G13
Weight	4.0 kg (DE29 2x 18 W) 7.0 kg (DE29 2x 36 W)

SPARE PARTS

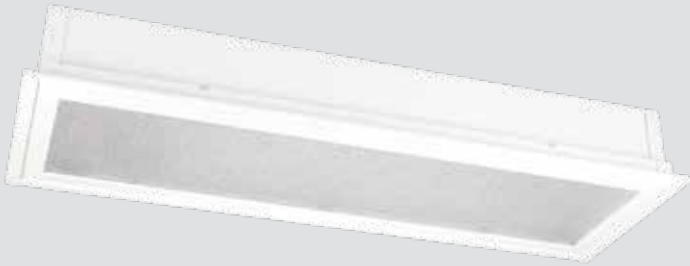
PART NO.

Icecrystal cover (DE29S)	7931000900
Icecrystal cover (DE29L)	7931002000

★ EXTRAS

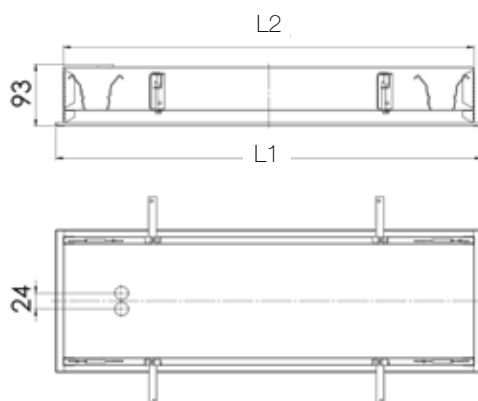
- > 120 V AC execution
- > 24 V DC execution
- > Dimmable
- > Emergency battery back-up
- > Alternative housing colors
- > Different louvers and diffusers
- > Different mounting sets

TYPE	L1	L2	X
DE29S	652	614	635
DE29L	1246	1225	1235



RECESSED MOUNTED CEILING LUMINAIRE
FOR PASSAGE WAYS, LOUNGES, DINING ROOMS
AND ACCOMMODATION AREAS

Design	According to rules of maritime classification societies and relevant standards
Housing	Galvanized steel, powder coated white (RAL9010)
Diffuser	Clear polycarbonate with ice crystal structure
Mounting	Mounting set for ceilings, 23-55 mm
Cable entry	Inlets
Protection class	IP20 / IP44 in conjunction with ceiling
Voltage	220-240 V AC
Frequency	50-60 Hz



LED SOLUTION

DE29SS	5111009200-xxx
DE29SL	5111009300-xxx
Light source	Linear LP LED modules
Wattage	Max. 20 W / max. 40 W
CCT (color)	3.000 K or 4.000 K
Luminous flux	DE29SS: 1,500 lm DE29SL: 3,100 lm
CRI	≥ 80
Weight	3.3 kg (DE29SS) 5.5 kg (DE29SL)

FLUORESCENT SOLUTION

DE29S 2x 18 W	5111005600-015
DE29S 2x 36 W	5111005000-017
Light source	T8 fluorescent tubes (not included)
Wattage	2x 18 W 2x 36 W
Lamp base	G13
Weight	3.3 kg (DE29S 2x 18 W) 5.5 kg (DE29S 2x 36 W)

SPARE PARTS

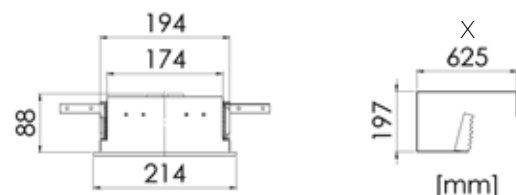
PART NO.

Icecrystal cover (DE29SS)	7112026800
Icecrystal cover (DE29SL)	7112021800

★ EXTRAS

- > 120 V AC execution
- > 24 V DC execution
- > B0-execution
- > Different cable entries

TYPE	L1	L2	X
DE29SS	636	614	625
DE29SL	1246	1225	1235





RECESSED MOUNTED CEILING LUMINAIRE FOR PASSAGE WAYS, CABINS, LOUNGES, DINING ROOMS, ACCOMMODATION AND PUBLIC AREAS

Design	According to rules of maritime classification societies and relevant standards
Housing	Galvanized steel, powder coated white (RAL9016)
Diffuser	Opal
Mounting	Mounting set for ceilings 23-55 mm
Cable entry	2 inlets for cables max. \varnothing 11 mm
Protection class	IP20 / IP44 in conjunction with ceiling
Weight	2.4 kg
Light source	Compact fluorescent lamp (not included)
Lamp base	2G11
Wattage	1x 18 W
Voltage	220-240 V AC
Frequency	50-60 Hz

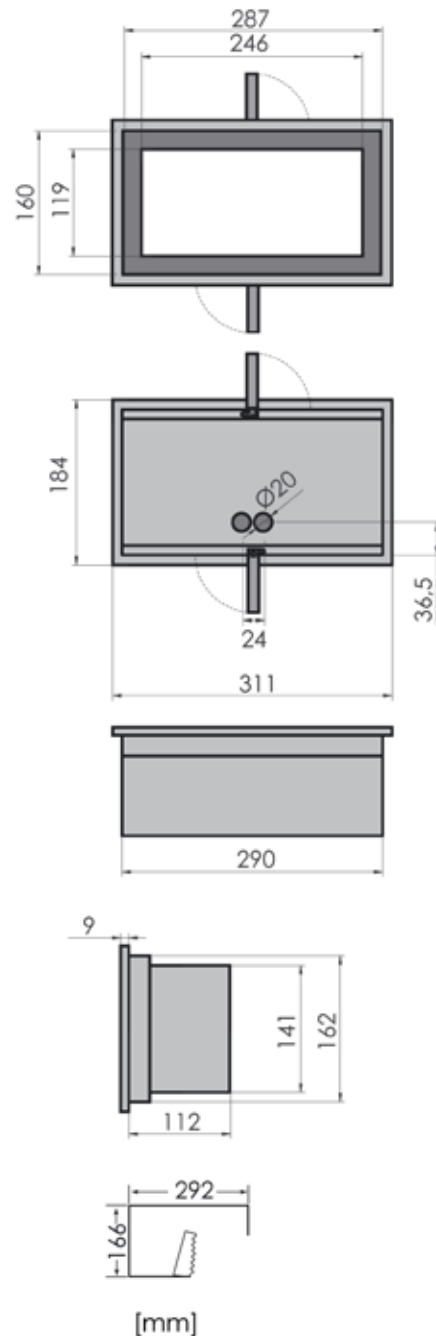
PART NO.

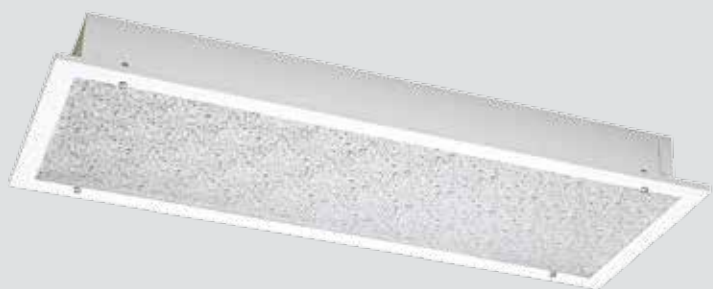
DE29XS

5111006100-001

EXTRAS

- > 120 V AC execution
- > Different louvers and diffusers
- > Different cable entries
- > Emergency battery back-up





RECESSED MOUNTED CEILING LUMINAIRE FOR ACCOMMODATION AND PUBLIC AREAS

Design	According to rules of maritime classification societies and relevant standards
Housing	Galvanized steel, powder coated white (RAL9016)
Diffuser	Clear polycarbonate, ice crystal structure
Mounting	Mounting set for ceilings 23-55 mm
Cable entry	4x M20 inlets for cables max. Ø 11 mm
Protection class	IP20 / IP44 in conjunction with ceiling, IP20 with louver
Voltage	220-240 V AC
Frequency	50-60 Hz

LED SOLUTION

DE38S	5111009600-xxx
DE38L	5111009700-xxx
Light source	Linear LP LED modules
Wattage	Max. 20 W / max. 40 W
CCT (color)	3,000 K or 4,000 K
Luminous flux	DE38S: 1,500 lm DE38L: 3,100 lm
CRI	≥ 80
Weight	3.3 kg (DE38S) 5.5 kg (DE38L)

FLUORESCENT SOLUTION

DE38 2x 18 W	5111001202-081
DE38 2x 36 W	5111007200-004
Light source	T8 fluorescent tubes (not included)
Wattage	2x 18 W 2x 36 W
Lamp base	G13
Weight	3.3 kg (DE38 2x 18 W) 5.5 kg (DE38 2x 36 W)

SPARE PARTS

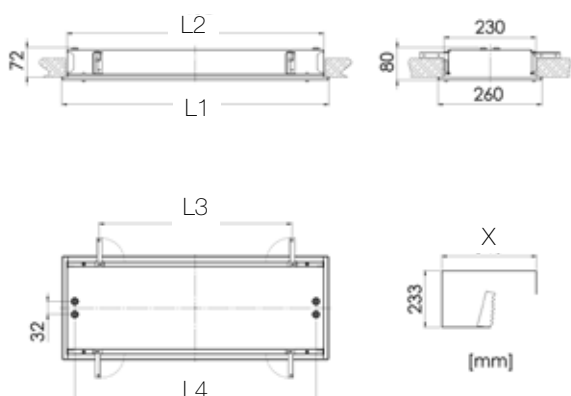
PART NO.

Icecrystal cover (DE38S)	7931001200
Icecrystal cover (DE38L)	7931002100

★ EXTRAS

- > 120 V AC execution
- > 24 V DC execution
- > Dimmable
- > Emergency battery back-up
- > Different mounting sets
- > Different louvers and diffusers

TYPE	L1	L2	L3	L4	X
DE38S	660	635	475	595	640
DE38L	1270	1245	1076	1205	1250




PART NO.

DE60

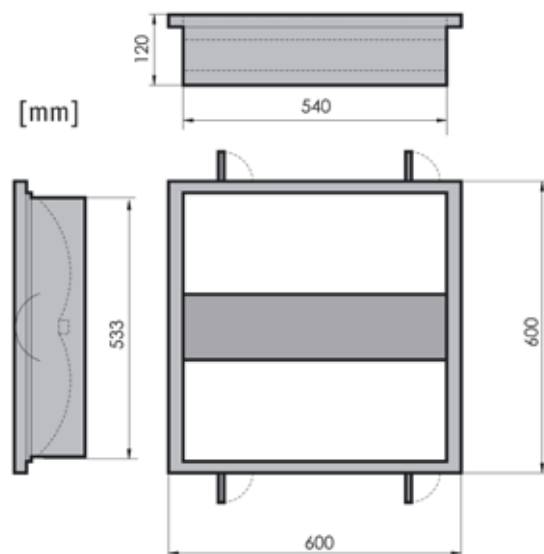
5111004000-005

★ EXTRAS

- > 120 V AC execution
- > Different wattages and voltages
- > Emergency battery back-up
- > Execution for different ceilings available

RECESSED MOUNTED CEILING LUMINAIRE
FOR INSTALLATION IN PANEL CEILINGS 600 X 600 MM

Design	According to rules of maritime classification societies and relevant standards
Housing	Galvanized steel, powder coated white (RAL9016)
Reflector	Primary reflector: white steel, semicircular section, with lay-in opal plastic foil Secondary reflector: white coated aluminium, parabolic
Mounting	4 mounting brackets
Cable entry	2 inlets for cables max. Ø 11 mm
Protection class	IP20
Weight	7.0 kg
Light source	Compact fluorescent lamp (not included)
Wattage	2x 36 W
Lamp base	2G11
Voltage	220-240 V AC
Frequency	50-60 Hz



RECESSED CEILING LUMINAIRE

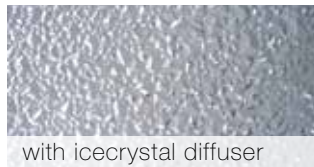
DE95 DCC



3



with louver



with icecrystal diffuser

CEILING LUMINAIRE FOR RECESSED INSTALLATION
IN PANEL CEILINGS (DAMPA DCC300)

Design	According to rules of maritime classification societies and relevant standards
Housing	Galvanized steel, powder coated white (RAL9016)
Diffuser	Clear polycarbonate with ice crystal or prismatic structure or parabolic louver
Mounting	Mounting brackets and side rails
Cable entry	4x M20 inlets for cables max. Ø 11 mm
Protection class	IP20 / IP44 in conjunction with ceiling, IP20 with louver
Voltage	220-240 V AC
Frequency	50-60 Hz

LED SOLUTION

DE95 DCC S	5111009400-xxx
DE95 DCC L	5111009500-xxx
Light source	Linear LP LED modules
Wattage	Max. 20 W / max. 40 W
CCT (color)	3,000 K or 4,000 K
Luminous flux	DE95 DCC S: 1,500 lm DE95 DCC L: 3,100 lm
CRI	≥ 80
Weight	6.6 kg (DE95 DCC S) 9.1 kg (DE95 DCC L)

FLUORESCENT SOLUTION

DE95 DCC 2x 18 W	5111007300-xxx
DE95 DCC 2x 36 W	5111007400-xxx
Light source	T8 fluorescent tubes (not included)
Wattage	2x 18 W 2x 36 W
Weight	6.6 kg (DE95 DCC 2x 18 W) 9.1 kg (DE95 DCC 2x 36 W)

SPARE PARTS

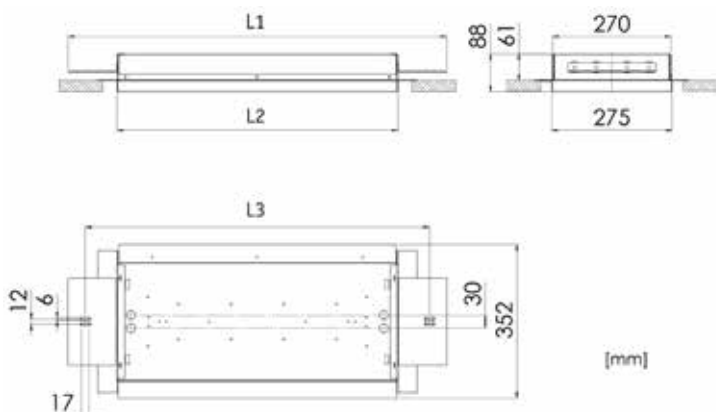
PART NO.

Ice crystal cover (DE95 DCC S)	7931001300
Ice crystal cover (DE95 DCC L)	7931001400

★ EXTRAS

- > 120 V AC execution
- > 24 V DC execution
- > Dimmable
- > Emergency battery back-up
- > Alternative housing colors
- > Different diffusers available

TYPE	L1	L2	L3
DE95 DCC S	864	640	785
DE95 DCC L	1477	1250	1398



[mm]



RECESSED MOUNTED CEILING LUMINAIRE
FOR PASSAGE WAYS, LOUNGES, DINING ROOMS
AND ACCOMODATION AREAS

Design	According to rules of maritime classification societies and relevant standards
Housing	Galvanized steel, powder coated white (RAL9016)
Diffuser	Aluminium louver
Mounting	mounting set for ceilings 23-55 mm
Cable entry	2 cable entries, Ø 20 mm
Protection class	IP20
Weight	5.2 kg (2x 18 W) / 8.0 kg (2x 36 W)
Light source	T8 fluorescent tubes (not included)
Wattage	2x 18 W / 2x 36 W
Lamp base	G13
Voltage	220-240 V AC
Frequency	50-60 Hz

PART NO.

DE22 2x 18 W	5111001000-010
DE22 2x 36 W	5111001100-007

SPARE PARTS

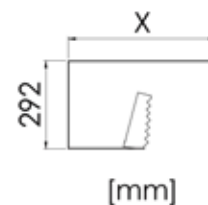
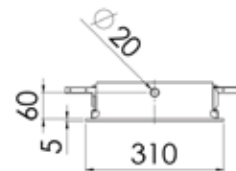
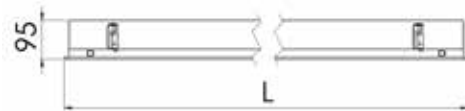
PART NO.

Louver (18 W)	7112033100
Louver (36 W)	7112016200
Lamp holder kit (18 W)	7111024000
Lamp holder kit (36 W)	7111024100
Mounting set	7501001800

EXTRAS

- > T5 execution (14 W, 24 W, 28 W, 54 W)
- > 120 V AC execution
- > Dimmable electronic ballast
- > White steel louver, parabolic mirror louver
- > Emergency battery back-up

TYPE	L	X
2x 18 W	622	614
2x 36 W	1247	1229





PART NO.

DA Flex S

5112008800-005

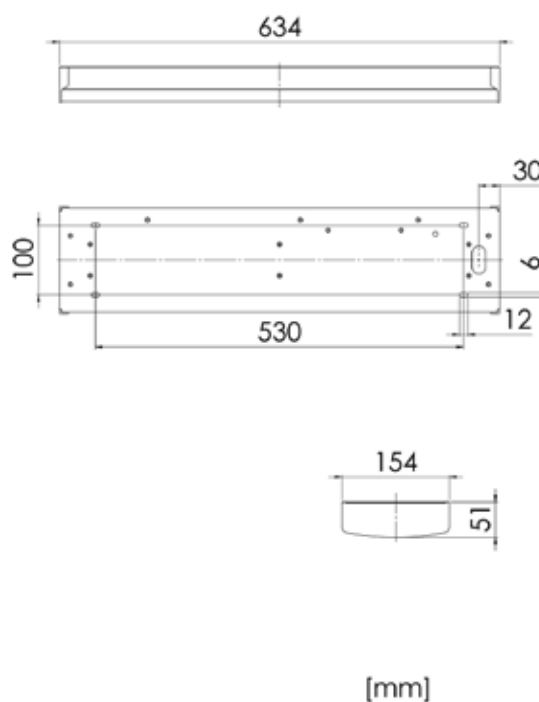
★ EXTRAS

- > Motion sensor
- > 120 V AC execution
- > 24 V DC execution
- > Dimmable
- > Different color temperatures



CEILING LED LUMINAIRE, SURFACE MOUNTING
FOR PASSAGE WAYS, CABINS, LOUNGES,
ACCOMODATION AREAS

Design	According to rules of maritime classification societies, additional VDE and IEC
Housing	Galvanized steel, powder coated white (RAL9016)
Diffuser	Opal polycarbonate
Mounting	Mounting holes 4x Ø 6 mm
Cable entry	30 x 16 mm
Protection class	IP20
Weight	2.0 kg
Wattage	Max. 16 W
CCT (color)	3,000 K
Luminous flux	1,800 lm
CRI	≥ 80
Voltage	220-240 V AC
Frequency	50-60 Hz





PART NO.

DA Flex L

5112008900-005

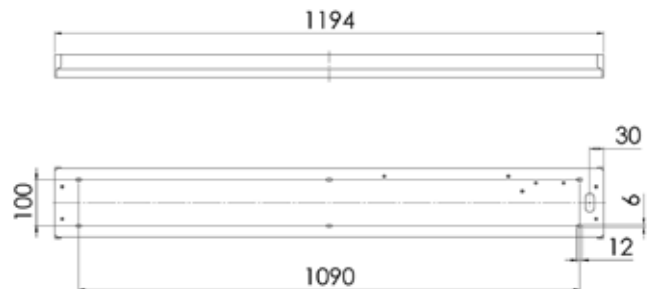
★ EXTRAS

- > Motion sensor
- > 120 V AC execution
- > 24 V DC execution
- > Dimmable
- > Different color temperatures



CEILING LED LUMINAIRE, SURFACE MOUNTING
FOR PASSAGE WAYS, CABINS, LOUNGES,
ACCOMODATION AREAS

Design	According to rules of maritime classification societies, additional VDE and IEC
Housing	Galvanized steel, powder coated white (RAL9016)
Diffuser	Opal polycarbonate
Mounting	Mounting holes 6x Ø 6 mm
Cable entry	30 x 16 mm
Protection class	IP20
Weight	4.0 kg
Wattage	Max. 32 W
CCT (color)	3,000 K
Luminous flux	3,300 lm
CRI	≥ 80
Voltage	220-240 V AC
Frequency	50-60 Hz

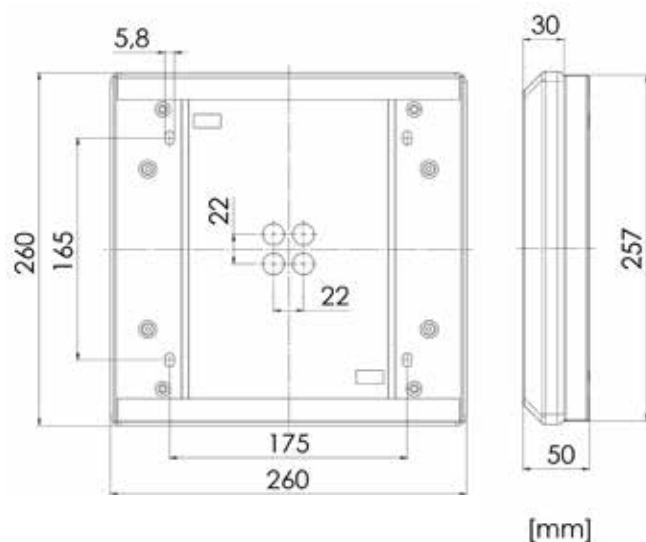


[mm]



SURFACE MOUNTED CEILING LUMINAIRE FOR
PASSAGE WAYS, CABINS, ACCOMODATION
AND PUBLIC AREAS

Design	According to rules of maritime classification societies and relevant standards
Housing	Galvanized steel, powder coated white (RAL9016)
Diffuser	Opal polycarbonate, impact-proof
Mounting	4 mounting holes Ø 5.8 mm
Cable entry	4 inlets for cables max. Ø 11 mm
Protection class	IP43
Voltage	220-240 VAC
Frequency	50-60 Hz



LED SOLUTION

DA16FXS	511200XXXX-xxx
Light source	Linear LP LED modules
Wattage	Max. 8 W
CCT (color)	3,000 K or 4,000 K
CRI	≥ 80
Weight	1.5 kg

FLUORESCENT SOLUTION

DA16F	5112002800-009
Light source	Compact fluorescent lamp (not included)
Wattage	2x 11 W
Lamp base	2G7
Weight	1.7 kg

SPARE PARTS

PART NO.

Cover	7112004700
Lamp holder 2G7	7111023400

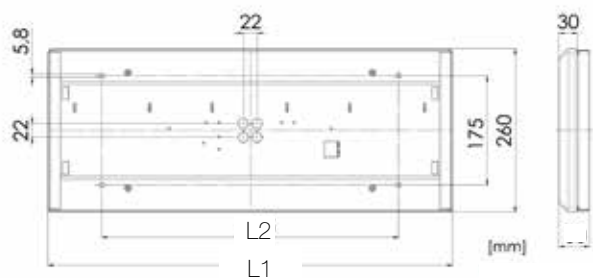
★ EXTRAS

- > 120 V AC execution
- > 24 V DC execution
- > Dimmable
- > Different color temperatures



SURFACE MOUNTED CEILING LUMINAIRE FOR
PASSAGE WAYS, CABINS, ACCOMODATION
AND PUBLIC AREAS

Design	According to rules of maritime classification societies and relevant standards
Housing	Galvanized steel, powder coated white (RAL9016)
Diffuser	Opal polycarbonate, impact-proof
Mounting	4 mounting holes \varnothing 5.8 mm
Cable entry	4 inlets for cables max. \varnothing 11 mm
Protection class	IP43
Voltage	220-240 V AC
Frequency	50-60 Hz



★ LED SOLUTION

DA16FS	5112007100-xxx
DA16FL	5112007200-xxx
Light source	Linear LP LED modules
Wattage	Max. 20 W / max. 40 W
CCT (color)	3,000 K or 4,000 K
CRI	\geq 80
Luminous flux	DA16FS: 1,500 lm DA16FL: 3,100 lm
Weight	3.0 kg (DA16FS) 4.5 kg (DA16FL)

✎ FLUORESCENT SOLUTION

DA16F 2x 18 W	5112003000-007
DA16F 2x 36 W	5112003100-009
Light source	T8 fluorescent tubes (not included)
Wattage	2x 18 W 2x 36 W
Lamp base	G13
Weight	2.6 kg (2x 18 W) 4.2 kg (2x 36 W)

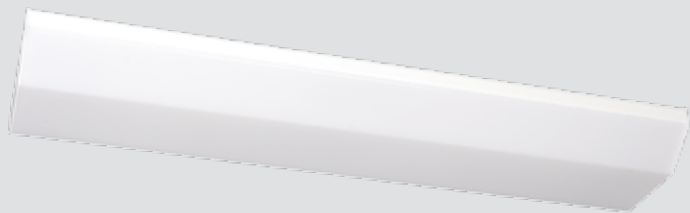
🔧 SPARE PARTS

	PART NO.
Cover (DA16FS)	7112000600
Cover (DA16FL)	7112000700

★ EXTRAS

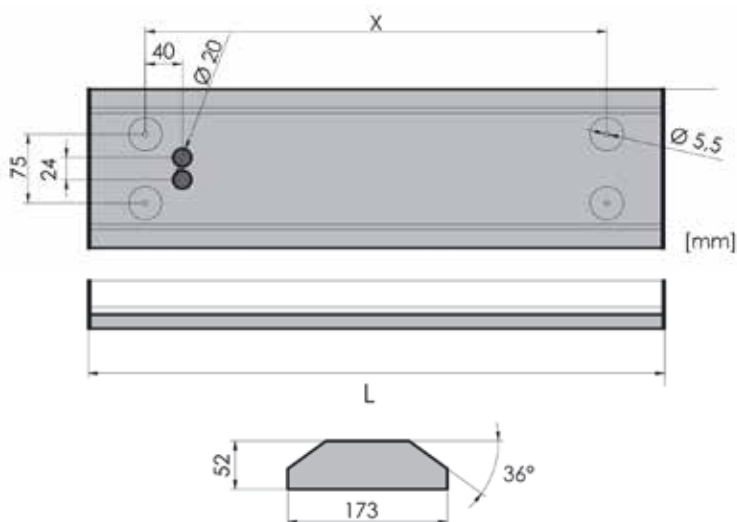
- > 120 V AC execution
- > 24 V DC execution
- > Dimmable
- > Different color temperatures
- > T5 execution

TYPE	L1	L2
DA16FS	648	475
DA16FL	1260	950



SURFACE MOUNTED CEILING LUMINAIRE FOR
PASSAGE WAYS, CABINS, LOUNGES AND
ACCOMODATION AREAS

Design	According to rules of maritime classification societies and relevant standards
Housing	Galvanized steel, powder coated white
End caps	White polycarbonate
Diffuser	Opal polycarbonate, impact-proof
Mounting	4 mounting holes \varnothing 5.5 mm
Cable entry	2 cable entries, \varnothing 20 mm
Protection class	IP20
Voltage	220-240 VAC
Frequency	50-60 Hz



LED SOLUTION

DA110S	5112007300-001
DA110L	5112007400-001
Light source	Linear LP LED modules
Wattage	Max. 20 W /max. 40 W
CCT (color)	3,000 K
CRI	\geq 80
Weight	2.2 kg (DA110S) 4.0 kg (DA110L)

FLUORESCENT SOLUTION

DA110 2x 14 W	5112005000-001
DA110 2x 28 W	5112005300-001
Light source	T5 fluorescent tubes (included)
Wattage	2x 14 W 2x 28 W
Lamp base	G5
Weight	1.7 kg (2x 14 W) 2.5 kg (2x 28 W)

SPARE PARTS

PART NO.

Cover (DA110S)	7112021600
Cover (DA110L)	7112031900
End cap	7504000600

★ EXTRAS

- > 24 V DC execution
- > 120 V AC execution
- > Dimmable
- > Different color temperatures

TYPE	L	X
DA110S	623	500
DA110L	1270	980

DA30



SURFACE MOUNTED CEILING LUMINAIRE FOR CABINS, ACCOMODATION AND PUBLIC AREAS

Design	According to rules of maritime classification societies and relevant standards
Housing	Polycarbonate, white
Diffuser	Opal
Mounting	4 mounting holes, Ø 4.0 mm
Cable entry	1 inlet for cables max. Ø 11 mm
Protection class	IP54
Weight	0.8 kg (2x 9 W) / 2.0 kg (2x 11 W)
Light source	2G7
Wattage	2x 9 W / 2x 11 W
Voltage	220-240 V AC
Frequency	50-60 Hz

PART NO.

DA30 2x 9 W	5112000100-004
DA30 2x 11 W	5112001000-008

SPARE PARTS

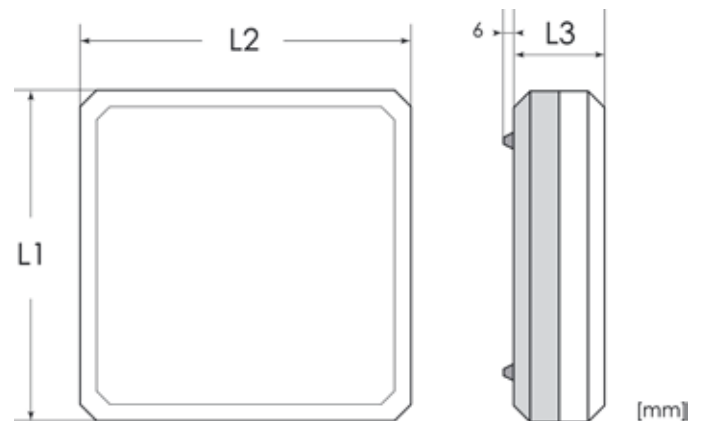
PART NO.

Diffuser (2x 9 W)	7112008100
Diffuser (2x 11 W)	7112008000
Lamp holder 2G7	7111023400

EXTRAS










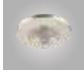


- > 120 V AC execution
- > 24 V DC execution

TYPE	L1	L2	L3
2x 9 W	200	200	58
2x 11 W	300	300	83







	EL FLEX	70
	EL14	72
	EL33	73
	KJ56	74
	KJ144	75
	KJ15	76
	KJ62	77
	LL15	78
	SP66	79
	DL01	82
	WL01	83
	WL75Q	84

**PART NO.**

EL Flex S 5113003400-002

SPARE PARTS**PART NO.**

Cover 7112037700

End cap 7503000800

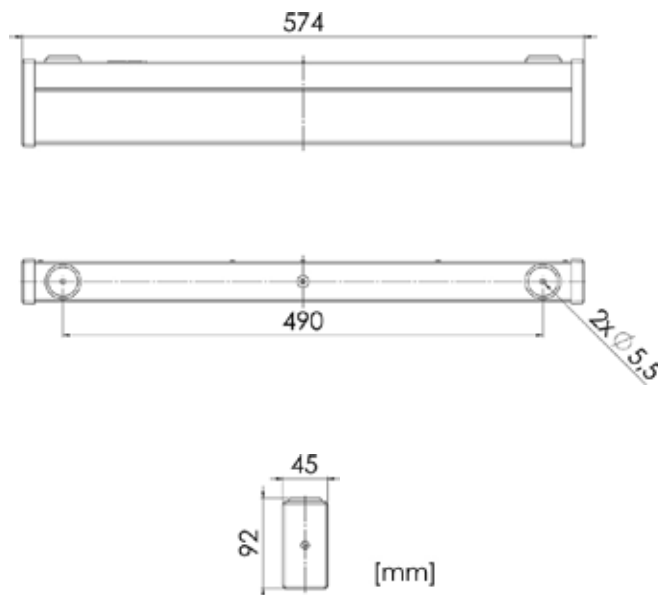
EXTRAS

- > 120 V AC execution
- > Different color temperatures



CORNICE LUMINAIRE, LED, EFFICIENT LIGHTING FOR FLOOR AREAS, PASSAGE WAYS, CABINS AND ACCOMODATION AREAS

Design	According to rules of maritime classification societies, additional VDE and IEC
Housing	Galvanized steel, powder coated white (RAL9016)
End caps	Polycarbonate, white
Diffuser	Polycarbonate, opal
Mounting	2 mounting holes, \varnothing 5.5 mm
Protection class	IP20
Weight	1.3 kg
Light source	LED module
CCT (color)	3,000 K
Luminous flux	1,300 lm
CRI	\geq 80
Wattage	Max. 10 W
Voltage	220-240 V AC
Frequency	50-60 Hz



**PART NO.**

EL Flex L 5113003500-002

SPARE PARTS**PART NO.**

Cover 7112037800

End cap 7503000800

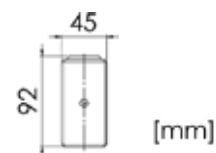
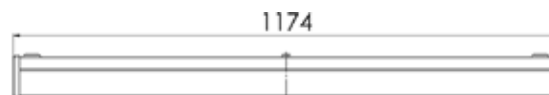
EXTRAS

- > 120 V AC execution
- > Different color temperatures



CORNICE LUMINAIRE, LED, EFFICIENT LIGHTING FOR FLOOR AREAS, PASSAGE WAYS, CABINS AND ACCOMODATION AREAS

Design	According to rules of maritime classification societies, additional VDE and IEC
Housing	Galvanized steel, powder coated white (RAL9016)
End caps	Polycarbonate, white
Diffuser	Polycarbonate, opal
Mounting	2 mounting holes, \varnothing 5.5 mm
Protection class	IP20
Weight	2.5 kg
Light source	LED module
CCT (color)	3,000 K
Luminous flux	3,000 lm
CRI	\geq 80
Wattage	Max. 20 W
Voltage	220-240 V AC
Frequency	50-60 Hz





CORNICE LUMINAIRE, EFFICIENT LIGHTING FOR FLOOR AREAS, PASSAGE WAYS, CABINS AND ACCOMODATION AREAS

Design	According to rules of maritime classification societies and relevant standards
Housing	Galvanized steel, powder coated white (RAL9016)
End caps	Polycarbonate, white
Diffuser	Polycarbonate, opal
Mounting	2 / 4 mounting holes, Ø 5.3 mm
Protection class	IP30
Voltage	220-240 V AC
Frequency	50-60 Hz

LED SOLUTION

EL14S	5113002900-xxx
EL14L	5113003000-xxx
Light source	Linear LP LED module
Weight	2.1 kg (EL14S) 3.5 kg (EL14L)
Wattage	Max. 10 W / max. 20 W
CCT (color)	3,000 K or 4,000 K
CRI	≥ 80
Luminous flux	1,300 lm (10 W) 3,000 lm (20 W)

FLUORESCENT SOLUTION

EL14 1x 14 W	5113002300-001
EL14 1x 28 W	5113002400-001
Light source	T5 fluorescent tubes (not included)
Lamp base	G5
Weight	2.1 kg (1x 14 W) 3.5 kg (1x 28 W)
Wattage	1x 14 W 1x 28 W

SPARE PARTS

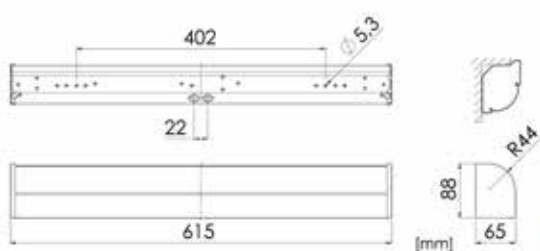
PART NO.

Cover (EL14S)	7933000100
Cover (EL14L)	7933000200
End cap left	7504000400
End cap right	7504000500

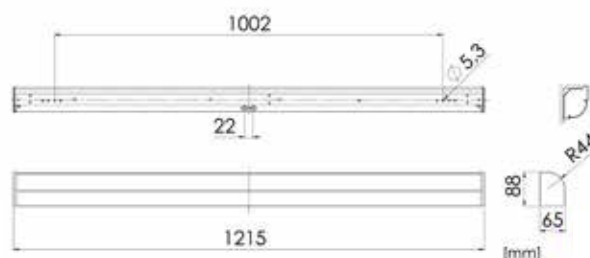
★ EXTRAS

> 120 V AC execution

EL14S



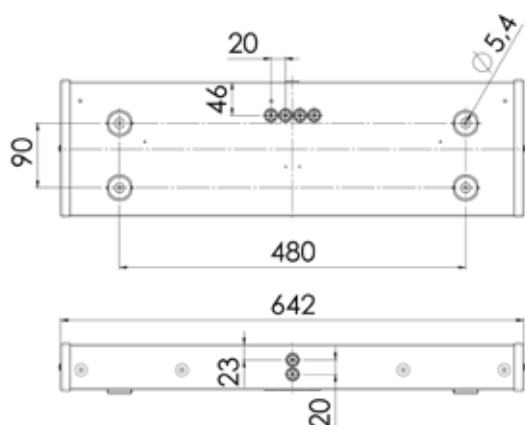
EL14L





CORNICE LUMINAIRE, EFFICIENT LIGHTING FOR FLOOR AREAS, PASSAGE WAYS, CABINS AND ACCOMODATION AREAS

Design	According to rules of maritime classification societies and relevant standards
Housing	Galvanized steel, powder coated white (RAL9016)
End caps	Polycarbonate, white
Diffuser	Polycarbonate, opal or crystal
Mounting	4 mounting holes, \varnothing 5.4 mm
Protection class	IP30
Voltage	220-240 V AC
Frequency	50-60 Hz

**LED SOLUTION**

EL33S (max. 10 W)	5113003100-xxx
EL33S (max. 20 W)	5113003200-xxx
Light source	Linear LP LED module
Weight	2.8 kg (1x 10 W) 3.0 kg (1x 20 W)
Wattage	Max.10 W / max. 20 W
CCT (color)	3,000 K or 4,000 K
CRI	\geq 80
Luminous flux	1,300 lm (10 W) 3,000 lm (20 W)

FLUORESCENT SOLUTION

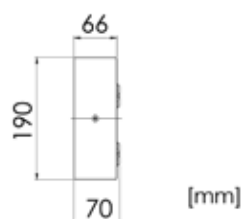
EL33 1x 18 W	5113000100-014
EL33 2x 18 W	5113000400-005
Light source	T8 fluorescent tubes (not included)
Lamp base	G13
Wattage	1x / 2x 18 W

SPARE PARTS**PART NO.**

Opal cover	7112006900
Crystal cover	7112006800
End cap	7503000300

★ EXTRAS

- > 120 V AC execution
- > 1x / 2x 36 W T8 execution
- > With 2-pole-switch
- > Max. 10 W execution with battery back-up





BERTH LIGHT WITH SWITCH, SLIM DESIGN,
IDEAL FOR PULLMAN BERTHS

Design	According to rules of maritime classification societies and relevant standards
Housing	Galvanized steel, powder coated white (RAL9016)
End caps	Polycarbonate, white
Diffuser	Polycarbonate, opal
Switch	On / off switch, 2-pole
Mounting	2 mounting holes, \varnothing 5.5 mm
Protection class	IP30
Weight	0.5 kg
Voltage	220-240 V AC
Frequency	50-60 Hz

LED SOLUTION

KJ56	5117008201-002
Light source	Linear LP LED module
Wattage	Max. 3 W
CCT (color)	4,000 K
CRI	≥ 80

FLUORESCENT SOLUTION

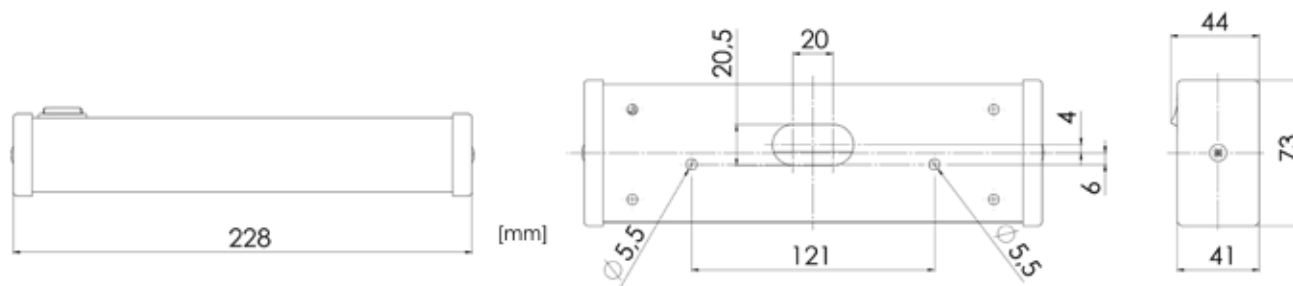
KJ56	5117000200-021
Light source	compact fluorescent lamp (not included)
Lamp base	2G7
Wattage	1x 7 / 9 W

SPARE PARTS

	PART NO.
Cover	7112001300
End caps (2 pcs)	7504000100

EXTRAS

- > 120 V AC execution
- > Different color temperatures

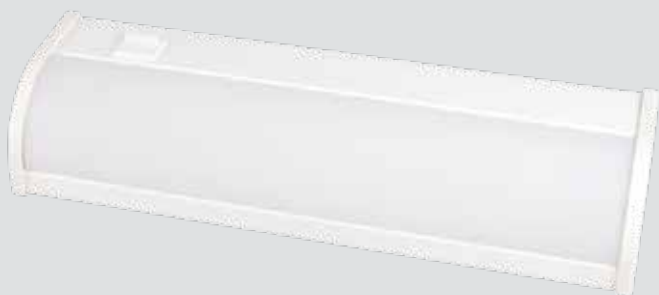


BERTH LIGHT, SURFACE

KJ144



4



BERTH LIGHT WITH SWITCH,
FOR ACCOMODATION AREAS

Design	According to rules of maritime classification societies and relevant standards
Housing	Galvanized steel, powder coated white (RAL9016)
End caps	Polycarbonate, white
Diffuser	Polycarbonate, opal
Switch	On / off switch, 2-pole
Mounting	2 mounting holes, \varnothing 5.5 mm
Protection class	IP30
Voltage	220-240 V AC
Frequency	50-60 Hz

LED SOLUTION

KJ144XS	5117008500-001
KJ144S	5117008300-xxx
Light source	Linear LP LED module
Wattage	Max. 6 W / max. 10 W
CCT (color)	3,000 K
CRI	\geq 80

FLUORESCENT SOLUTION

KJ144 11 W TC	5117000800-005
KJ144 18 W T8	5117001200-005
Light source	Compact or T8 fluorescent lamp (not included)
Lamp base	2G7 / G13
Wattage	1x 11 / 1x 18 W

SPARE PARTS

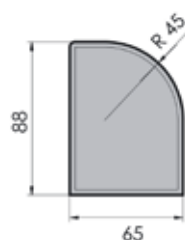
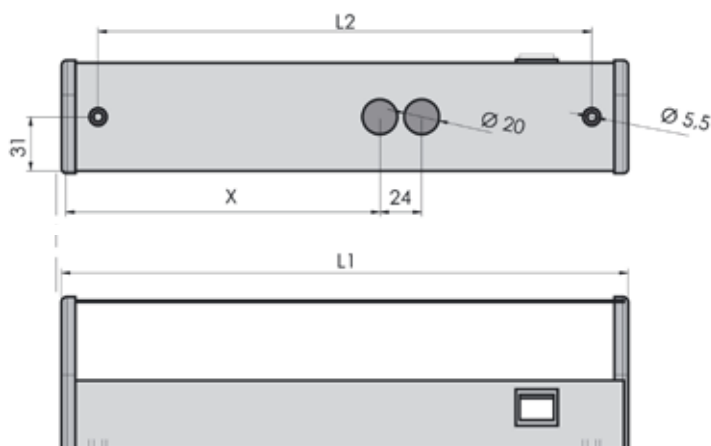
PART NO.

Cover KJ144XS	7112020200
Cover KJ144S	7112028900
End cap left	7504000400
End cap right	7504000500

★ EXTRAS

- > 120 V AC execution
- > KJ144S LED with battery back-up
- > Different color temperatures

TYPE	L1	L2	X	Weight
KJ144XS	325	283	180	0.8 kg
KJ144S	675	550	326	1.5 kg





BERTH LIGHT WITH SWITCH AND SWIVELING REFLECTOR FOR INSTALLATION IN ACCOMODATION AREAS

Design	According to rules of maritime classification societies and relevant standards
Housing	Galvanized steel, powder coated white (RAL9016)
End caps	Polycarbonate, white
Reflector	Galvanized steel, powder coated white (RAL9016)
Switch	On / off switch, 2-pole
Mounting	2 mounting holes, \varnothing 5.5 mm
Cable entry	\varnothing 16 mm
Protection class	IP20
Weight	Type A: 0.8 kg / Type B: 1.0 kg
Lamp base	E27
Wattage	Max. 40 W (lamp not included)
Voltage	220-240 V AC or 110-120 V AC
Frequency	50-60 Hz

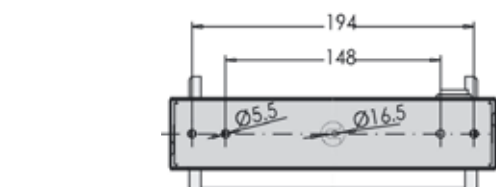
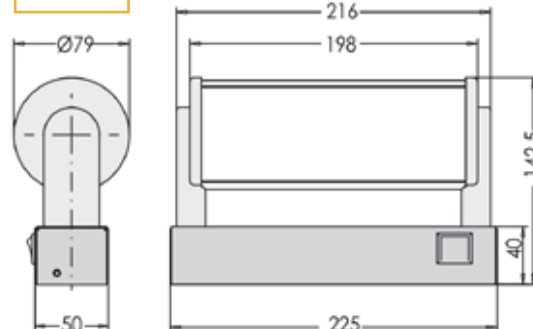
PART NO.

KJ15 Type A	5117000300-003
KJ15 Type B	5117000400-003

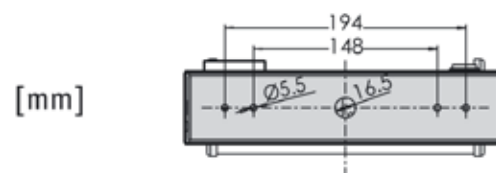
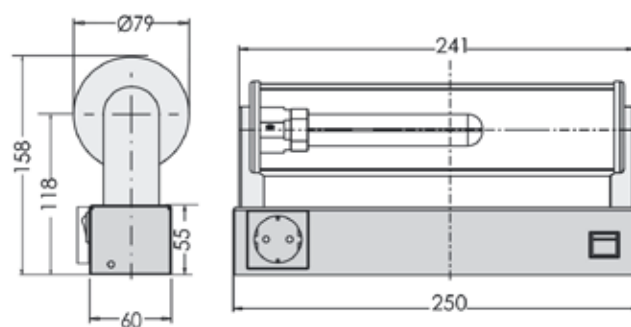
SPARE PARTS**PART NO.**

End caps	7112018600
----------	------------

Type A



Type B



[mm]

**PART NO.**

KJ62

5116000100-022

SPARE PARTS**PART NO.**

Switch, white

7201000100

Lamp holder 2G7

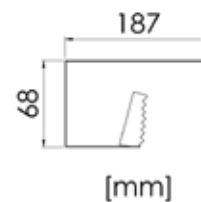
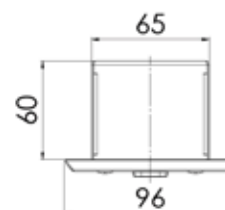
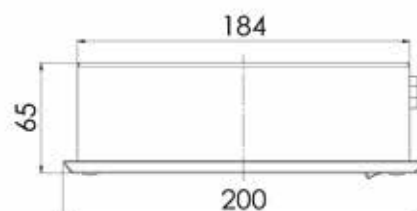
7111019800

EXTRAS

- > 120 V AC execution
- > Different connectors
- > Different colors of housing/reflector in accordance with RAL or NCS

RECESSED MOUNTED BERTH LIGHT FOR CABINS

Design	According to rules of maritime classification societies and relevant standards
Housing	Galvanized steel, powder coated white (RAL9016)
Diffuser	Polycarbonate, opal
Switch	On / off switch, 2-pole
Mounting	4 mounting holes, Ø 3.2 mm
Connection type	Connection cable with WAGO-Winsta 3-pole-plug
Wiring	Flexible wiring, heat resistant up to 105°C
Protection class	IP20
Weight	0,6 kg
Light source	Compact fluorescent lamp (not included)
Lamp base	2G7
Wattage	1x 7 W
Voltage	220-240 V AC
Frequency	50-60 Hz



[mm]

BATTEN LUMINAIRE, SURFACE

LL15



4



BATTEN LUMINAIRE FOR CABINS, SHOPS
AND ACCOMODATION AREAS

Design	According to rules of maritime classification societies and relevant standards
Housing	Galvanized steel, powder coated white (RAL9016)
Mounting	2 mounting holes, \varnothing 5.5 mm
Cable entry	1 cable entry, \varnothing 16 mm
Wiring	Flexible wiring, heat resistant up to 105°C
Protection class	IP20
Light source	T8 fluorescent tubes (not included)
Lamp base	G13
Wattage	1x 18 W / 1x 36 W
Voltage	220-240 V AC
Frequency	50-60 Hz

PART NO.

LL15 1x 18 W	5118005400-001
LL15 1x 36 W	5118005500-002

SPARE PARTS

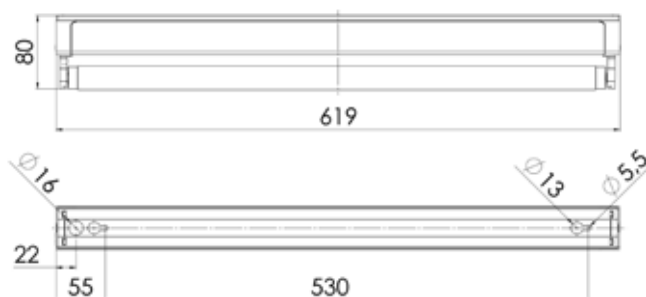
PART NO.

Lamp holder G13	7111023700
-----------------	------------

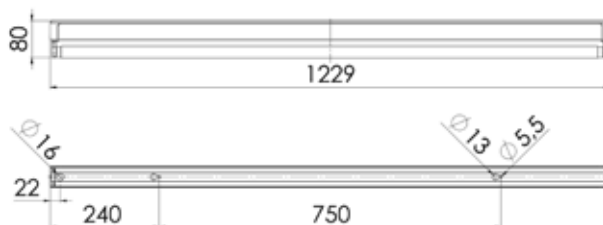
★ EXTRAS

- > 120 V AC execution
- > Dimmable electronic ballast
- > Through wiring

1x 18 W



1x 36 W





MIRROR LUMINAIRE, LED, FOR CABINS,
BATHROOMS, LAVATORIES
AND ACCOMODATION AREAS

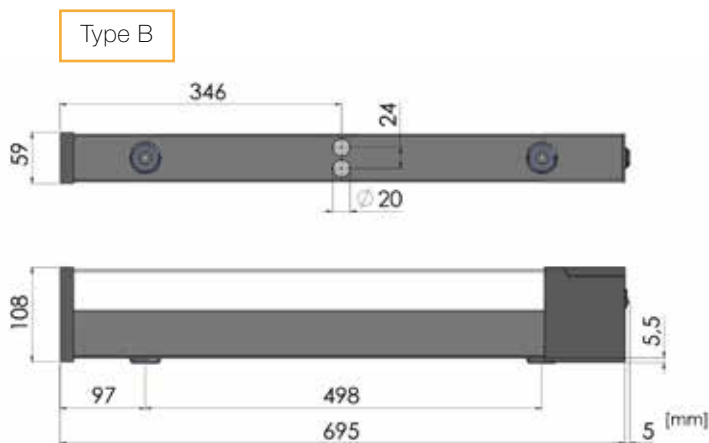
Design	According to rules of maritime classification societies and relevant standards
Housing	Galvanized steel, powder coated white (RAL9016)
End caps	Polycarbonate, white
Diffuser	Opal, structured
Switch	On / off switch, 2-pole
Mounting	2 mounting holes, Ø 6 mm
Cable entry	2 cable entries, Ø 20 mm
Protection class	IP44
Weight	1.9 kg
Type B	Isolating transformer, on/off switch 2-pole, razor socket with 110 V / 230 V selector switch
Light source	Linear LP LED module
Wattage	Max. 10 W
Equivalent	14 W FL T5 / 18 W FL T8
CCT (color)	4,000 K
CRI	≥ 80
Voltage	Type A: 110-240 V AC Type B: 220-240 V AC
Frequency	50-60 Hz

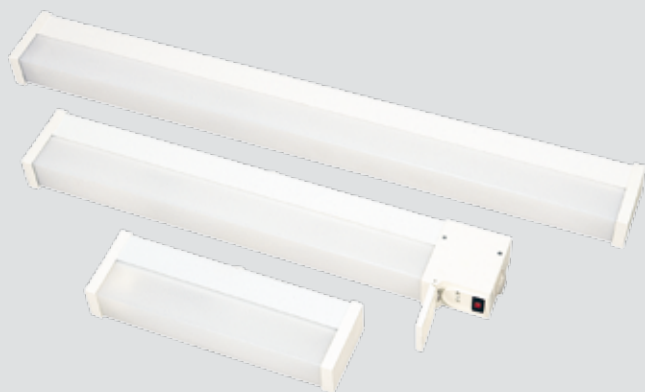
PART NO.

SP66 Type A	5115003800-000
SP66 Type B	5115003900-000

SPARE PARTS**PART NO.**

Cover type A	7112002800
Cover type B	7112009000
End cap	7503000400





MIRROR LUMINAIRE FOR CABINS, BATHROOMS,
LAVATORIES AND ACCOMODATION AREAS

Design	According to rules of maritime classification societies and relevant standards
Housing	Galvanized steel, powder coated white (RAL9016)
End caps	Polycarbonate, white
Diffuser	Opal, structured
Mounting	2 mounting holes, Ø 6 mm
Cable entry	2 cable entries, Ø 20 mm
Wiring	Flexible wiring, heat resistant up to 105°C
Protection class	IP44
Light source	Compact or T8 fluorescent lamp (not included)
Voltage	220-240 V AC
Frequency	50-60 Hz

PART NO.

SP66 1x 11 W	5115000300-xxx
SP66 1x 15 W	5115000500-xxx
SP66 1x 18 W	5115000600-xxx

SPARE PARTS

PART NO.

Cover type A+B 11 W	7935000400
Cover type A+B 15 W	7935000700
Cover type A+B 18 W	7112002800
Cover type C+D 11 W	7112008700
Cover type C+D 15 W	7112012000
Cover type C+D 18 W	7112009000
Lamp holder G13	7111019200
Lamp holder 2G7	7111022100
End cap	7503000400

EXTRAS

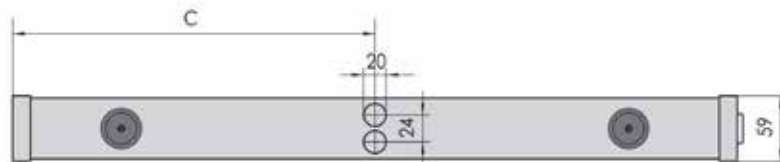
> 120 V AC execution

TYPE WATTAGE LAMP BASE PART NO.

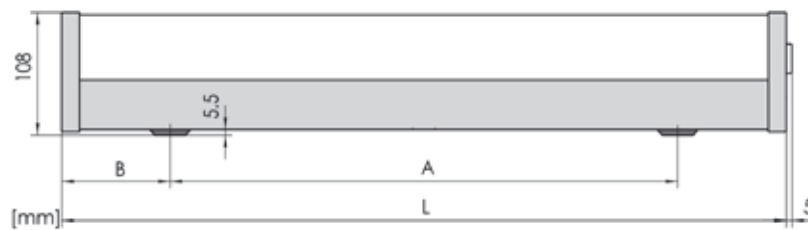
2 plastic end caps			
A	11 W	2G7	5115000300-039
	15 W	G13	5115000500-023
	18 W	G13	5115000600-035
2 plastic end caps with on/off switch, 2-pole			
B	11 W	2G7	5115000300-017
	15 W	G13	5115000500-024
	18 W	G13	5115000600-033
Isolating transformer, razor socket with 110 V / 230 V selector switch			
C	11 W	2G7	5115000300-023
	15 W	G13	5115000500-021
	18 W	G13	5115000600-022
Isolating transformer, on/off switch 2-pole, razor socket with 110 V / 230 V selector switch			
D	11 W	2G7	5115000300-028
	15 W	G13	5115000500-017
	18 W	G13	5115000600-036



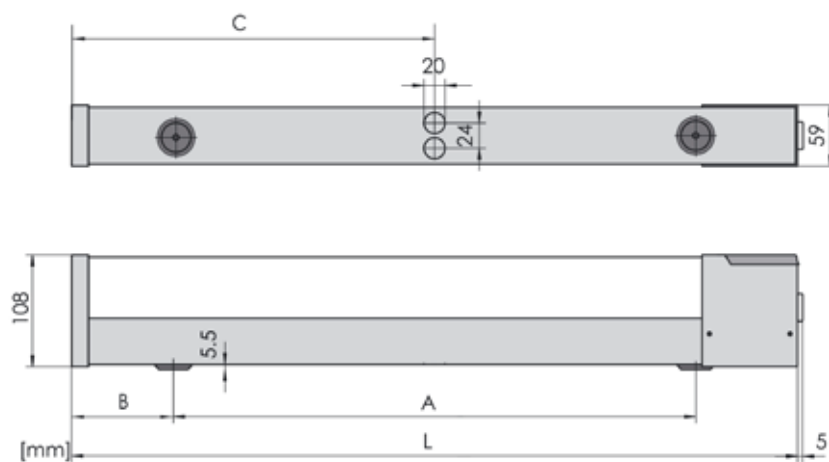
TYPE	L	A	B	C
A+B 11 W	350	176	87	175
A+B 15 W	498	301	97	247
A+B 18 W	651	453	97	323
C+D 11 W	415	268	37	136
C+D 15 W	605	406	97	300
C+D 18 W	695	498	97	346



Type A+B



Type C+D



STEP LIGHT, LED, RECESSED

DL01



4



DECORATIVE STEP LIGHT, LED, FOR STAIRWAYS,
PASSAGE WAYS, INDIRECT AND EFFECT LIGHTING

Design	According to rules of maritime classification societies and relevant standards
Housing	Stainless steel
Decorative ring	Stainless steel, brushed
Cover	Glass lens
Mounting	2 springs for wall thickness max. 16 mm
Connection type	150 mm connection cable
Protection class	IP44
Weight	0.05 kg
Light source	Single LP LED module
Wattage	Max. 1 W
CCT (color)	2,700 K
CRI	≥ 80
Constant current	350 mA
Electrical execution	Driver required (not included)

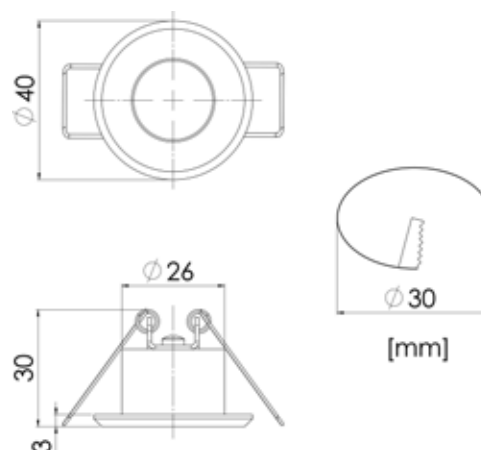
PART NO.

DL01

5303009000-001

★ EXTRAS

- > Dimmable
- > Different color temperatures
- > Connection type unit according to specific application
- > Different finishes or colors in accordance with RAL or NCS





DECORATIVE STEP LIGHT, LED, FOR STAIRWAYS,
PASSAGE WAYS, INDIRECT AND EFFECT LIGHTING

Design According to rules of maritime classification societies and relevant standards

Housing Stainless steel

Decorative ring Stainless steel, polished

Cover Satin lens

Mounting 2 springs for wall thickness
max. 16 mm

Connection type 1500 mm connection cable

Protection class IP56

Weight 0.1 kg

Light source Single LP LED module

Wattage Max. 1 W

CCT (color) 3,000 K

CRI ≥ 80

Constant current 350 mA

Electrical execution Driver required
(not included)

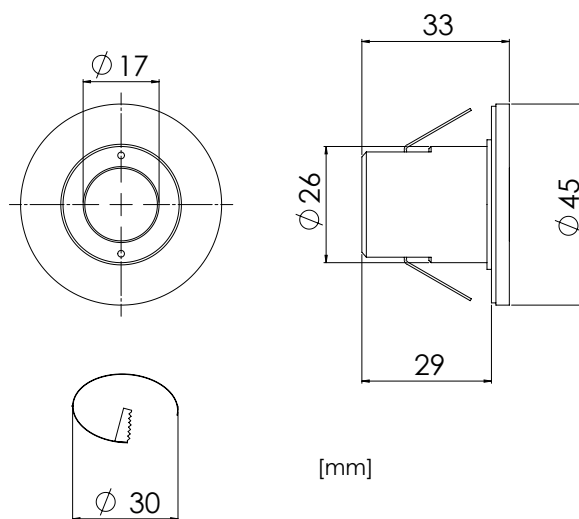
PART NO.

WL01

5126001600-005

EXTRAS

- > Dimmable
- > Different color temperatures
- > Different finishes or colors in accordance with RAL or NCS





PART NO.

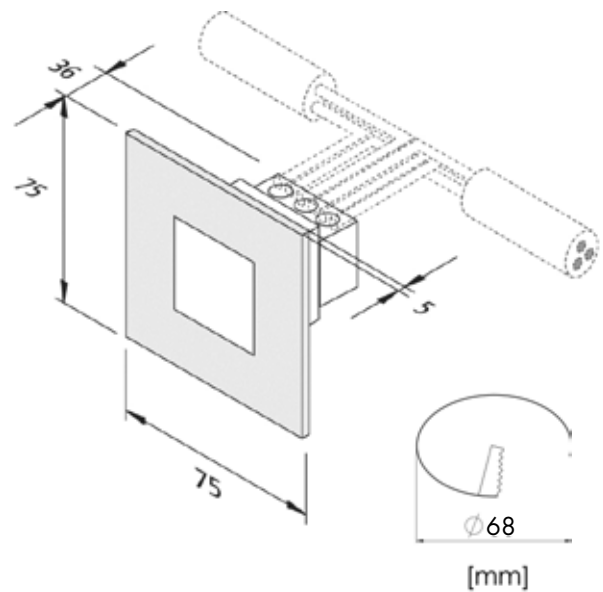
WL75Q

5126002200-001



WALL/STEP LIGHT, LED, FOR STAIRWAYS
AND PUBLIC AREAS























Design	According to rules of maritime classification societies and relevant standards
Decorative ring	Stainless steel look
Cover	Opal
Mounting	Quick and easy installation due to standard surface pattress box and flush-mounted socket
Protection class	IP20
Weight	0.65 kg
Light source	Single LED modules
Luminous flux	80 lm
CCT (color)	3,000 K
Wattage	Max. 1.8 W
Voltage	220-240 V AC
Frequency	50-60 Hz









	DL STAR	88
	DL88	89
	DL70	90
	DL50	91
	DL90AL	92
	DL90A	93
	DL90S	94
	DL04	95
	DL100	96
	DL90E	97
	DL VARIO	98
	DL120	100
	DL660M	101
	DL67	102
	DL167	103
	DL130	104
	DL170	105
	DL27	106
	DL63/DL52	108
	DL53	112
	DL225	113
	DL110Q	114

DL Star



STAR LIGHT FOR EFFECT LIGHTING

Design According to rules of maritime classification societies and relevant standards

Housing Aluminium

Decorative ring See color information

Mounting 2 fixing springs for ceilings max. 20 mm

Connection type Connection cable with Ensto 2-pole plug

Protection class IP20

Weight 0.04 kg

Light source QT9 halogen lamp (not included)

Wattage Max. 20 W

Lamp base G4

Voltage 12 V

Electrical execution Driver or transformer required (not included)
5806004500-001 (Wago 3-pole plug) or
5806004500-002 (Wieland 3-pole plug)

PART NO.

DL Star 5301020100-xxx

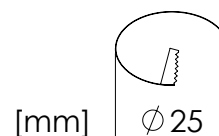
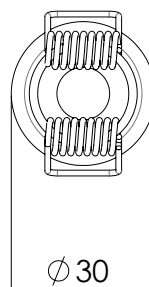
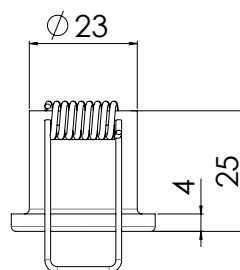
COLORS

PART NO.

White	5301020100-001
Chrome	5301020100-002
Steel brushed	5301020100-003
Gold	5301020100-004
Brass	5301020100-006
Chrome matt	5301020100-007

★ EXTRAS

- > Different connectors
- > Different transformers



DL88



ADJUSTABLE DOWNLIGHT,
RECESSED MOUNTING, INDOOR USE

Design	According to rules of maritime classification societies and relevant standards
Housing	Aluminium
Decorative ring	See color information
Mounting	2 spring clips for ceilings max. 20 mm
Connection type	Ensto 2-pole plug
Protection class	IP20
Weight	0.1 kg
Light source	MR11 halogen or LED lamp (not included)
Wattage	Max. 20 W
Lamp base	GU4
Voltage	12 V
Electrical execution	Driver or transformer required (not included) 5806004500-001 (Wago 3-pole plug) or 5806004500-002 (Wieland 3-pole plug)

PART NO.

DL88 5301020400-xxx

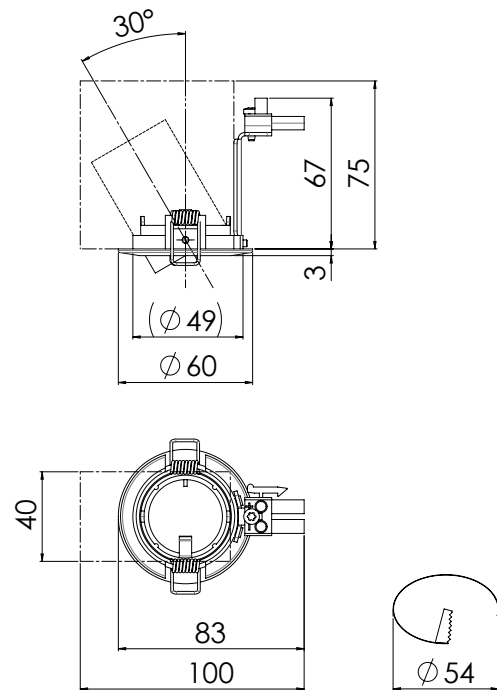
COLORS

PART NO.

White	5301020400-001
Chrome	5301020400-002
Steel brushed	5301020400-003
Gold	5301020400-004
Black	5301020400-005

EXTRAS

- > Different connectors
- > Different transformers



[mm]

DL70



FLAT LED FURNITURE LIGHT

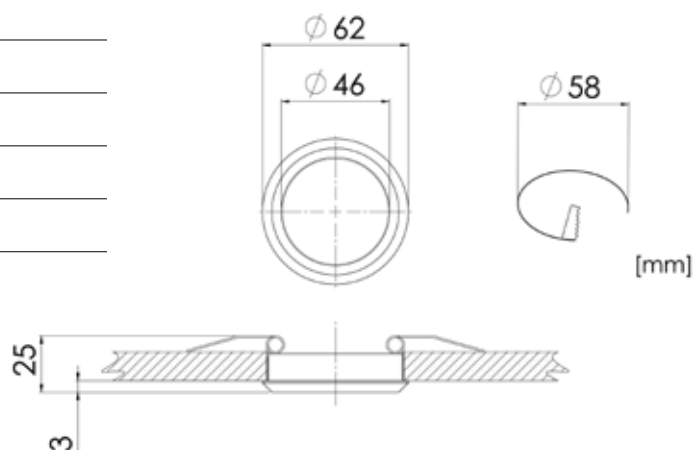
PART NO.

DL70 white	5303003200-002
DL70 chrome	5303003200-005

★ EXTRAS

> Different connectors

Design	According to rules of maritime classification societies and relevant standards
Housing	Plastic
Decorative ring	White / chrome
Cover	Satin
Mounting	Spring clips for ceilings max. 20 mm
Connection type	2000 mm lead with mini male plug for drilling holes \varnothing 8 mm
Protection class	IP20 / IP44 in conjunction with ceiling
Weight	0.12 kg
Light source	Cluster LED module, not dimmable
Wattage	Max. 2.6 W
CCT (color)	3,000 K
CRI	\geq 80
Voltage	110-220 V AC
Frequency	50-60 Hz



SURFACE MOUNTED SPOTLIGHT

DL50



5



SURFACE MOUNTED SPOTLIGHT, INDOOR USE

Design According to rules of maritime classification societies and relevant standards

Housing Aluminium

Decorative finish See color information

Mounting 2 mounting holes \varnothing 4.2 mm

Connection type Connection terminal

Protection class IP20

Weight 0.3 kg

Light source LED or halogen (not included)

Wattage Max. 35 W

Lamp base GU10

Voltage 230 V AC

PART NO.

DL50 5311000400-xxx

COLORS

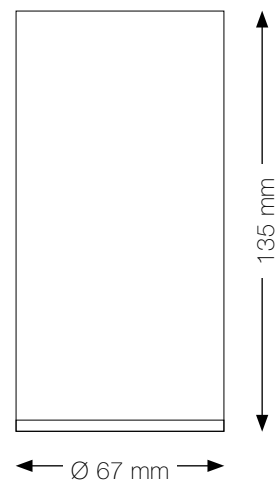
PART NO.

White 5311000400-001

Black 5311000400-005

Silver grey 5311000400-009

Brass 5311000400-010



ADJUSTABLE LED DOWNLIGHT

DL90AL



5



ADJUSTABLE LED DOWNLIGHT,
RECESSED MOUNTING, INDOOR USE

Design	According to rules of maritime classification societies and relevant standards
Housing	Aluminium
Decorative ring	See color information
Mounting	2 spring clips for ceilings max. 20 mm
Connection type	Connection cable with Ensto 2-pole plug
Protection class	IP24
Weight	0.3 kg
Light source	LED module
Luminous flux	760 lm
Wattage	Max. 8 W
CCT (color)	2,700 K
CRI	≥ 90
Current	350 mA
Electrical execution	Driver or transformer required (not included) 5806004500-001 (Wago 3-pole plug) or 5806004500-002 (Wieland 3-pole plug)

PART NO.

DL90AL 5404002400-xxx

COLORS

PART NO.

White	5404002400-001
Chrome	5404002400-002
Steel brushed	5404002400-003
Gold	5404002400-004
Black	5404002400-005

★ EXTRAS

- > Different connectors
- > Different transformers



ADJUSTABLE LED DOWNLIGHT

DL90A



5



ADJUSTABLE DOWNLIGHT,
RECESSED MOUNTING, INDOOR USE

Design	According to rules of maritime classification societies and relevant standards
Housing	Aluminium
Decorative ring	See color information
Mounting	2 spring clips for ceilings max. 20 mm
Connection type	Connection cable with Ensto 2-pole plug
Protection class	IP20
Weight	0.1 kg / 0.3 kg (POT)
Light source	LED or halogen (not included)
Wattage	Max. 35 W
Lamp base	GU5.3
Voltage	12 V
Electrical execution	Driver or transformer required (not included) 5806004500-001 (Wago 3-pole plug) or 5806004500-002 (Wieland 3-pole plug)

PART NO.

DL90A	5301020300-xxx
DL90A POT	5301020500-xxx

COLORS DL90A

PART NO.

White	5301020300-001
Chrome	5301020300-002
Steel brushed	5301020300-003
Gold	5301020300-004
Black	5301020300-005

COLORS DL90A POT

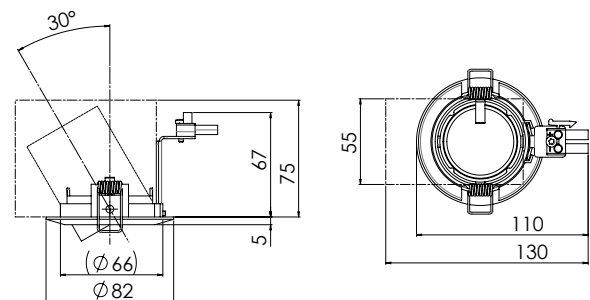
PART NO.

White	5301020500-001
Chrome	5301020500-002
Steel brushed	5301020500-003
Gold	5301020500-004
Black	5301020500-005

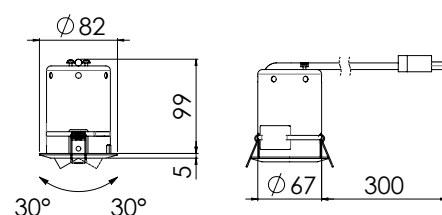
★ EXTRAS

- > Different connectors
- > Different transformers
- > GU10 execution

DL90A



DL90A POT



[mm]



DOWNLIGHT, RECESSED

DL90S



5

PART NO.

DL90S 5301020200-xxx

COLORS

PART NO.

White	5301020200-001
Chrome	5301020200-002
Steel brushed	5301020200-003
Gold	5301020200-004
Black	5301020200-005

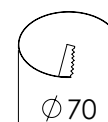
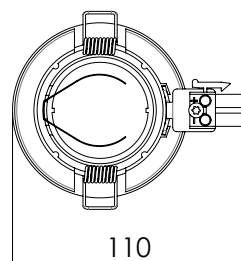
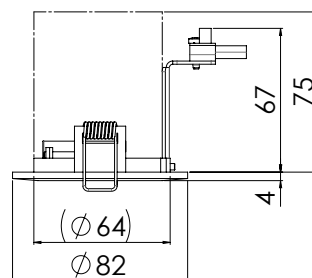
★ EXTRAS

- > Different connectors
- > Different transformers
- > GU10 execution



DOWNLIGHT FOR MR16 LED LAMPS. APPLICABLE FOR CABINS, ACCOMODATION AND PUBLIC AREAS

Design	According to rules of maritime classification societies and relevant standards
Housing	Aluminium
Decorative ring	See color information
Mounting	2 spring clips for ceilings max. 20 mm
Connection type	Ensto 2-pole plug
Protection class	IP20
Weight	0.1 kg
Light source	LED or halogen (not included)
Wattage	Max. 35 W
Lamp base	GU5.3
Voltage	12 V
Electrical execution	Driver or transformer required (not included) 5806004500-001 (Wago 3-pole plug) or 5806004500-002 (Wieland 3-pole plug)



[mm]

LED BATHROOM DOWNLIGHT

DL04



5



WATERTIGHT LED DOWNLIGHT FOR BATHROOMS
AND ACCOMODATION AREAS

Design	According to rules of maritime classification societies and relevant standards
Housing	Aluminium
Decorative ring	White/chrome
Cover	Opal polycarbonate
Mounting	3 fixing springs for ceilings max. 20 mm
Connection type	Connection cable with Ensto 2-pole plug
Protection class	IP20 / IP65 in conjunction with ceiling
Weight	0.2 kg
Light source	LED array
Wattage	Max. 5 W
Luminous flux	400 lm
CCT (color)	3,000 K
CRI	≥ 80
Constant current	500 mA
Electrical execution	Driver or transformer required (not included) 5806005000-001 (Wago 3-pole plug)

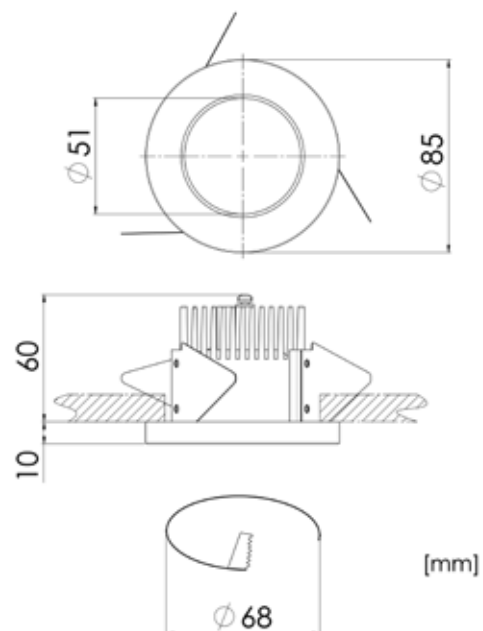
PART NO.

DL04 white 5303009700-001

DL04 chrome 5303009700-002

★ EXTRAS

- > Different connectors
- > Different transformers
- > Different finishes





PART NO.

DL100 white	5404000400-001
DL100 chrome	5404000400-002

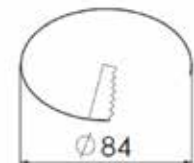
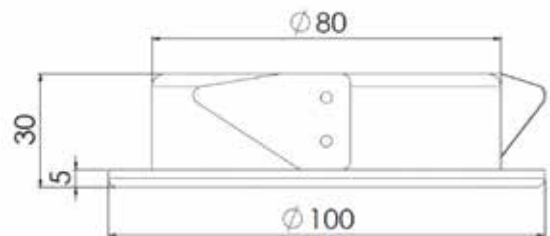
★ EXTRAS

- > Different connectors
- > Different transformers
- > Different color temperatures
- > Different finishes



FLAT LED DOWNLIGHT FOR BATHROOMS
AND ACCOMODATION AREAS

Design	According to rules of maritime classification societies and relevant standards
Housing	Galvanized steel, powder coated white (RAL9016)
Decorative ring	White/chrome
Cover	Opal polycarbonate
Mounting	Fixing springs for ceilings max 10 mm
Connection type	Connection cable with Ensto 2-pole plug
Protection class	IP44
Weight	0.2 kg
Light source	LED
Wattage	Max. 3 W
CCT (color)	2,700 K
CRI	≥ 80
Constant current	350 mA
Electrical execution	Driver required (not included)



[mm]

ADJUSTABLE WALL WASHER DOWNLIGHT

DL90E



5



ADJUSTABLE WALL WASHER DOWNLIGHT

Design	According to rules of maritime classification societies and relevant standards
Housing	Steel
Decorative ring	See color information
Mounting	Triangle springs for ceilings max. 20 mm
Connection type	Connection cable with Wago 3-pole plug
Protection class	IP20
Light source	Halogen or LED lamp. GX5.3 (not included)
Wattage	Max. 35 W
Voltage	220-240 V AC
Frequency	50-60 Hz
Electrical execution	Transformer, 0-105 VA, 11.5 V, dimmable with trailing-edge phase dimmers

PART NO.

DL90E 5302014200-xxx

COLORS

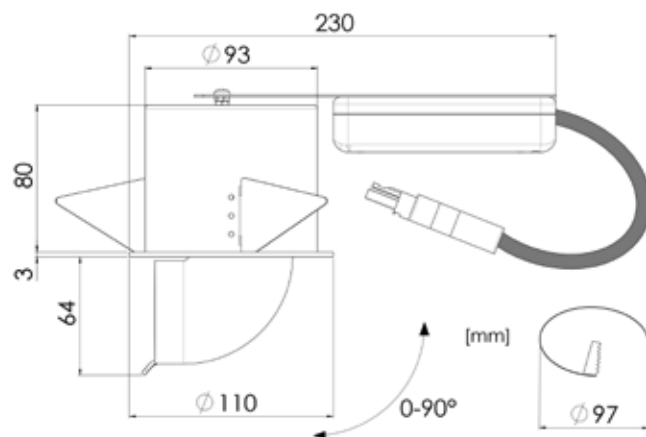
PART NO.

White	5302014200-003
Chrome	5302014200-002
Nickel brushed	5302014200-004
Gold	5302014200-001

SPARE PARTS

PART NO.

Female connector Wago	7124001800
-----------------------	------------



ADJUSTABLE LED DOWNLIGHT

DLVarios



5



ADJUSTABLE LED DOWNLIGHT WITH MAGNETIC COVER RING, APPLICABLE FOR PUBLIC AREAS, TILT +/-25° AND TURN 350°, FIXABLE POSITION

Design	According to rules of maritime classification societies and relevant standards
Housing	Polycarbonate, black
Mounting	Fixing springs for ceilings max. 20 mm
Decorative ring	White RAL9010 or chrome (has to be ordered separately)
Connection type	Connection cable with Wago 3-pole plug
Protection class	IP20
Weight	0.45 kg
Light source	LED module
Luminous flux	650 lm
Wattage	Max. 10 W
CCT (color)	2,700 K
CRI	≥ 90
Voltage	120-240 V AC
Frequency	50-60 Hz

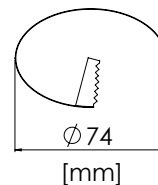
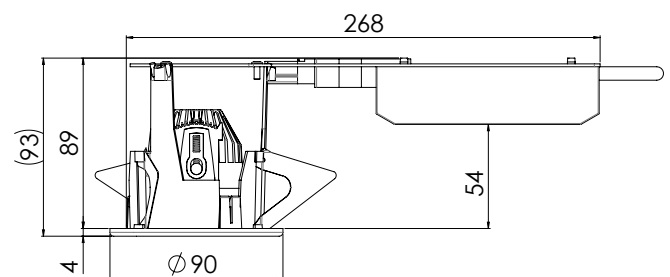
PART NO.	BEAM	TYPE
5555000100-001	25°	flush
5555000100-002	40°	flush
5555000100-003	60°	flush
5556000100-001	25°	recessed
5556000100-002	40°	recessed
5556000100-003	60°	recessed

PART. NO.	RING	COLORS	TYPE
5532003100-001	RAL9010		flush
5532003100-002	Chrome		flush
5532003200-001	RAL9010		recessed
5532003200-002	Chrome		recessed

SPARE PARTS	PART NO.
Female connector Wago	7124001800

★ EXTRAS

- > Different connectors
- > Different color temperatures
- > Dimmable
- > Different finishes



ADJUSTABLE LED DOWNLIGHT

DLVariol



5



ADJUSTABLE LED DOWNLIGHT WITH MAGNETIC COVER RING, APPLICABLE FOR PUBLIC AREAS, TILT +/- 25° AND TURN 350°, FIXABLE POSITION

Design	According to rules of maritime classification societies and relevant standards
Housing	Polycarbonate, black
Mounting	Brackets for ceilings max. 30 mm
Decorative ring	White RAL9010 or chrome (has to be ordered separately)
Connection type	Connection cable with Wago 3-pole plug
Protection class	IP20
Weight	0.6 kg
Light source	LED module
Luminous flux	650 lm
Wattage	Max. 10 W
CCT (color)	2,700 K
CRI	≥ 90
Voltage	120-240 V AC
Frequency	50-60 Hz

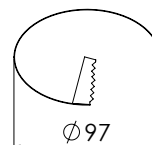
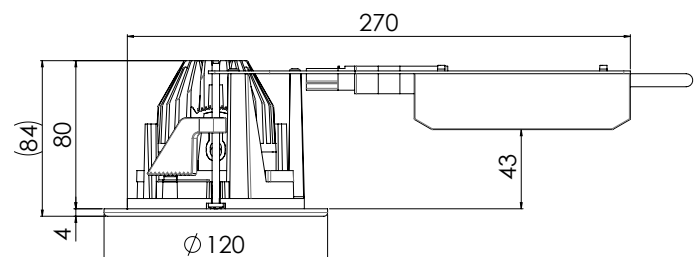
PART NO.	BEAM	TYPE
5555000200-001	25°	flush
5555000200-002	40°	flush
5555000200-003	60°	flush
5556000200-001	25°	recessed
5556000200-002	40°	recessed
5556000200-003	60°	recessed

PART. NO.	RING	COLORS	TYPE
5532003300-001	RAL9010		flush
5532003300-002	Chrome		flush
5532003400-001	RAL9010		recessed
5532003400-002	Chrome		recessed

SPARE PARTS	PART NO.
Female connector Wago	7124001800

★ EXTRAS

- > Different connectors
- > Different color temperatures
- > Dimmable
- > Different finishes



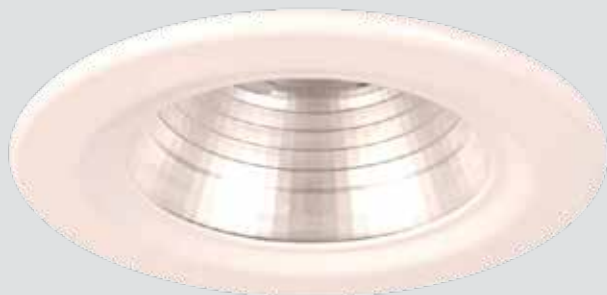
[mm]

HIGH POWER LED DOWNLIGHT

DL120



5



HIGH POWER LED DOWNLIGHT WITH REFLECTOR AND CHANGEABLE COVER RING, FOR ACCOMODATION AND PUBLIC AREAS

Design	According to rules of maritime classification societies and relevant standards
Housing	Galvanized steel, powder coated black (RAL9005)
Decorative ring	Zinc coated steel, RAL9016
Cover	Clear glass
Reflector	Replaceable PC reflector, 55°
Mounting	Fixing springs for ceilings max 20 mm
Connection type	Connection cable with Wago 3-pole plug
Protection class	IP20 / IP44 in conjunction with ceiling
Weight	0.8 kg
Light source	LED module
Luminous flux	2,000 lm
Wattage	Max. 18 W
Equivalent	26 W CFL
CCT (color)	2,700 K
CRI	≥ 90
Voltage	220-240 V AC
Frequency	50-60 Hz

PART NO.

DL120 5404000600-001

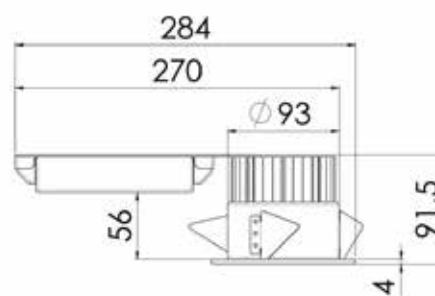
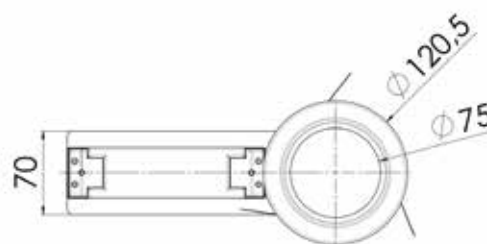
SPARE PARTS

PART NO.

Female connector Wago 7124001800

EXTRAS

- > Dimmable DALI, DSI, switchDIM
- > Different connectors
- > Different beam angles
- > LED with high CRI and different color temperatures
- > Different finishes
- > Different covers
- > 3h battery back-up system

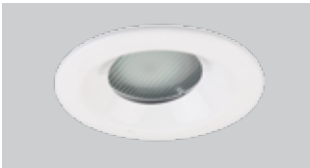


DOWNLIGHT

DL660M



5



ADJUSTABLE DOWNLIGHT WITH MAGNETIC COVER RING FOR MR16 LED LAMPS, APPLICABLE FOR CABINS, PUBLIC AREAS, ETC.

Design	According to rules of maritime classification societies and relevant standards
Housing	Galvanized steel, powder coated black
Decorative ring	See color information (has to be ordered separately)
Mounting	Fixing springs for ceilings max. 20 mm
Connection type	Connection cable with Wago 3-pole plug
Protection class	IP20 / IP44 with lens
Weight	0.7 kg
Light source	MR16 LED or halogen (not included)
Wattage	Max. 35 W
Lamp base	GU5.3
Voltage	230 V AC
Frequency	50-60 Hz

PART NO. DOWNLIGHT

DL660M 5502000300-001

COLORS

PART NO. RINGS

White / RAL 9016, symmetrical	5540000300-012
Chrome, symmetrical	5540000300-005
White / RAL 9016, asymmetrical	5540000200-031
Chrome, asymmetrical	5540000200-030
White / RAL 9016, Flat with opal diffuser	5531002600-010
Chrome, Flat with opal diffuser	5531002600-008

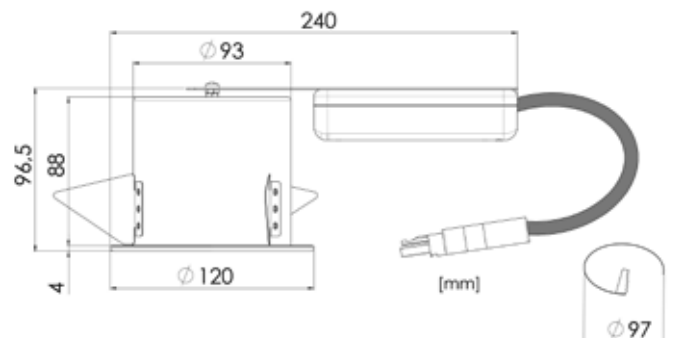
SPARE PARTS

PART NO.

Female connector Wago 7124001800

★ EXTRAS

- > 120 V AC execution
- > Different connectors





PART NO.

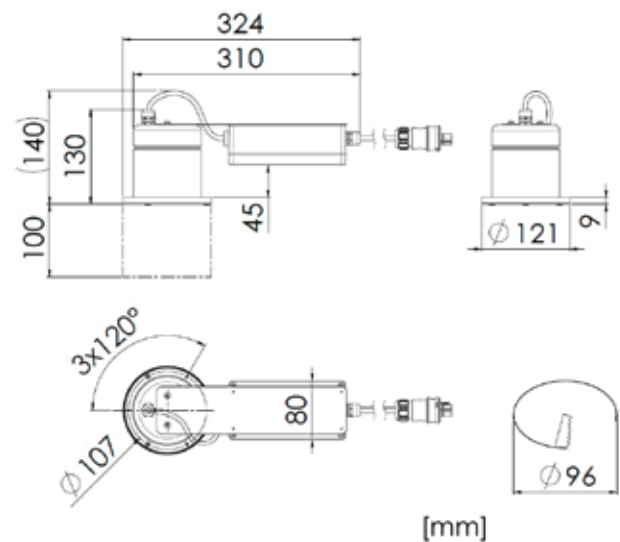
DL67

5301010300-061



WATERTIGHT DOWNLIGHT, ADJUSTABLE,
FOR M16 LED LAMPS.
APPLICABLE FOR OUTDOOR AREAS

Design	According to rules of maritime classification societies and relevant standards
Housing	Stainless steel, powder coated black
Decorative ring	Stainless steel, glossy
Cover	Clear glass
Mounting	3 mounting holes, \varnothing 4 mm, for ceilings max. 20 mm
Connection type	Connection cable with Wieland 3-pole plug
Cable entry	Cable gland brass for cables \varnothing 4-8 mm
Protection class	IP65
Weight	1.6 kg
Light source	MR16 LED or halogen (not included)
Wattage	Max. 35 W
Lamp base	GU5.3
Voltage	230 V AC
Frequency	50-60 Hz



GIMBAL DOWNLIGHT

DL167



5



GIMBAL DOWNLIGHT FOR ACCOMODATION
AND PUBLIC AREAS

Design	According to rules of maritime classification societies and relevant standards
Housing	Galvanized steel, powder coated
Decorative ring	Colors in accordance with RAL or NCS
Mounting	Fixing springs for ceilings max. 20 mm
Connection type	Ensto 2-pole plug
Protection class	IP20
Weight	0.8 kg
Light source	QR111 halogen or LED (not included)
Wattage	Max. 100 W
Lamp base	G53
Voltage	12 V

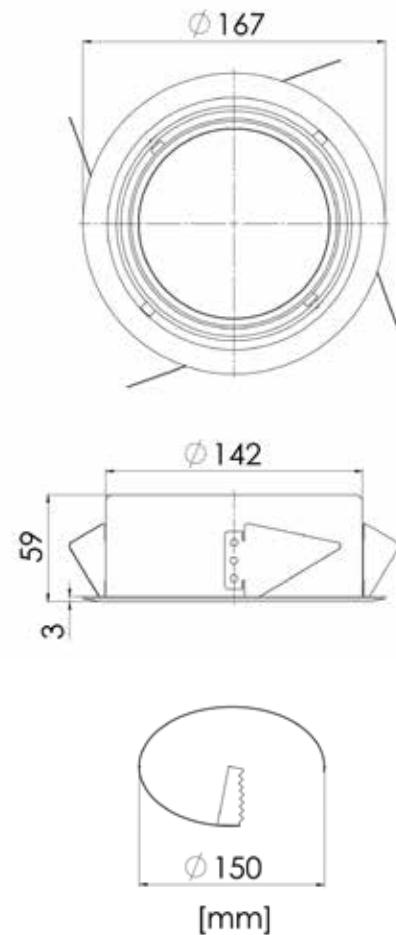
PART NO.

DL167

5302009100-xxx

★ EXTRAS

> Different connectors



HIGH POWER LED DOWNLIGHT

DL130



5



HIGH POWER LED DOWNLIGHT WITH REFLECTOR AND CHANGEABLE COVER RING, FOR ACCOMODATION AND PUBLIC AREAS

Design	According to rules of maritime classification societies and relevant standards
Housing	Galvanized steel, powder coated
Decorative ring	Zinc coated steel, RAL9016
Cover	Clear glass
Reflector	Replaceable PC reflector, 38°
Mounting	Max. 6 mounting holes, Ø 4.5 mm
Connection type	Connection cable with Wago 3-pole plug
Protection class	IP20 / IP44 in conjunction with ceiling
Weight	1.3 kg
Light source	LED module
Luminous flux	3,000 lm
Wattage	Max. 28 W
Equivalent	2x 18 W CFL
CCT (color)	2,700 K
CRI	≥ 90
Voltage	220-240 V AC
Frequency	50-60 Hz

PART NO.

DL130

5404000700-001

SPARE PARTS

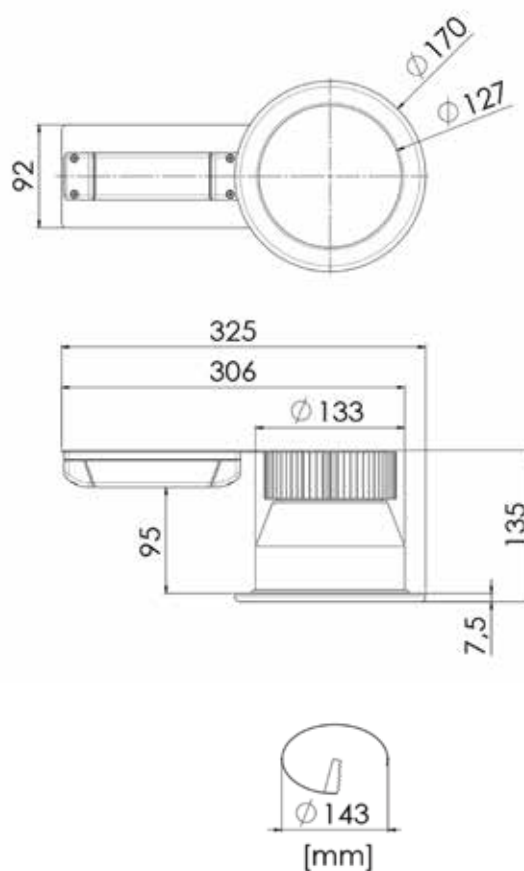
PART NO.

Female connector Wago

7124001800

EXTRAS

- > Dimmable DALI, DSI, switchDIM
- > Different connectors
- > Different beam angles
- > LED with high CRI and different color temperatures
- > Different finishes
- > Different covers
- > 3h Battery back-up system





FLAT SURFACE LED DOWNLIGHT FOR WALL AND CEILING MOUNTING, WITH CHANGEABLE COVER RING OF VARIOUS COLORS

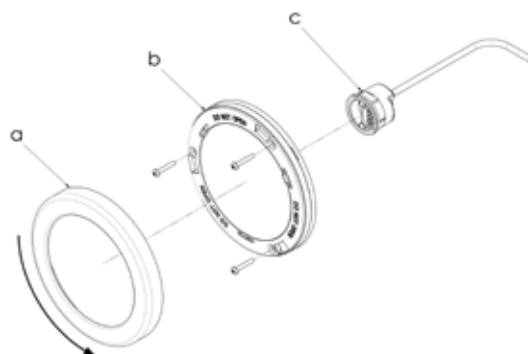
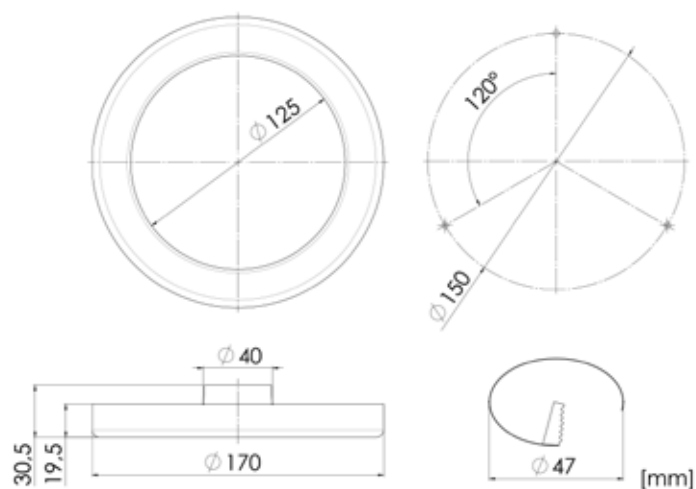
Design	According to rules of maritime classification societies and relevant standards
Housing	Polycarbonate
Decorative ring	Steel (has to be ordered separately)
Cover	Polycarbonate, clear
Mounting	3 mounting holes, \varnothing 4.5 mm
Connection type	Contact plug / ceiling connector with Wago 3-pole plug (has to be ordered separately)
Protection class	IP20
Weight	0.45 kg
Light source	Cluster LP LED module
Luminous flux	550 lm
Wattage	Max. 10 W
Equivalent	13 W CFL
CCT (color)	2,700 K
CRI	≥ 80
Voltage	220-240 V AC
Frequency	50-60 Hz

PART NO.

DL170	5503000700-001
Ring RAL 9016	5532002210-005
Ring chrome	5532002210-003
Connector	5533001100-001

★ EXTRAS

- > Emergency light operation
- > Different connectors
- > Connector units for B0 / B15 application available
- > Different color temperatures
- > Different finishes





DOWNLIGHT FOR ACCOMODATION
AND PUBLIC AREAS

Design	According to rules of maritime classification societies and relevant standards
Housing	Galvanized steel, powder coated white (RAL9016)
Decorative ring	Gold, chrome or colors in accordance with RAL or NCS. Optional with cover (has to be ordered separately, see page 111)
Cover	Different covers available (see page 111)
Reflector	Aluminium in chrome
Mounting	Max. 6 mounting holes, \varnothing 4.5 mm
Connection type	Connection cable with Wieland 3-pole plug
Protection class	IP20 / IP44 with lens
Weight	0.8 kg
Light source	Incandescent lamp or LED retrofit (not included)
Wattage	Max. 60 W / max. 40 W with lens
Lamp base	E27
Voltage	110/240 V AC or 24 V DC
Frequency	50-60 Hz or 0 Hz

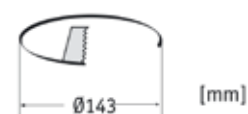
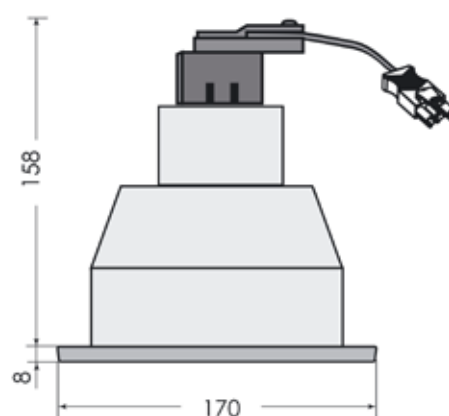
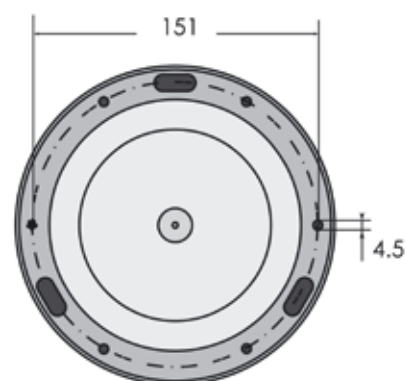
PART NO.

DL27

5501006600-002

EXTRAS

> Different connectors





LED DOWNLIGHT

DL63



5



LED DOWNLIGHT WITH CHANGEABLE COVER RING,
FOR CABINS, ACCOMODATION AND PUBLIC AREAS

Design	According to rules of maritime classification societies and relevant standards
Housing	Galvanized steel, powder coated white (RAL9016)
Decorative ring	Gold, chrome or colors in accordance with RAL or NCS. Optional with cover (has to be ordered separately, see page 111)
Cover	Different covers available (see page 111) For LED we recommend satined glass
Mounting	Max. 6 mounting holes, Ø 4.5 mm
Connection type	Connection cable with Wago 3-pole plug
Protection class	IP20 / P44 with lens
Light source	LED module
CCT (color)	3,000 K
CRI	≥ 80
Voltage	220-240 V AC
Frequency	50-60 Hz

PART NO.

DL63S	5503002500-xxx
DL63M	5503002600-xxx
DL63L	5503002700-xxx

LED SOLUTION

DL63S:

Weight	0.9 kg
Luminous flux	500 lm (with satined glass)
Wattage	Max. 5 W

DL63 M:

Weight	1.1 kg
Luminous flux	1,000 lm (with satined glass)
Wattage	Max. 10 W

DL63L:

Weight	1.2 kg
Luminous flux	2,000 lm (with satined glass)
Wattage	Max. 20 W

SPARE PARTS

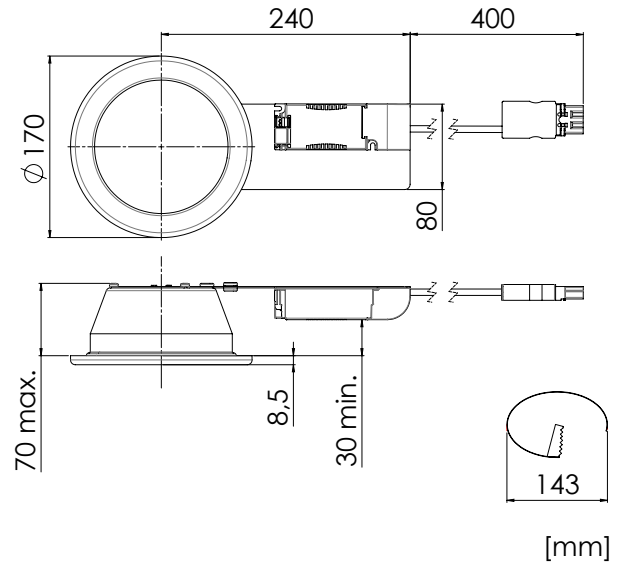
PART NO.

Female connector Wago	7124001800
-----------------------	------------

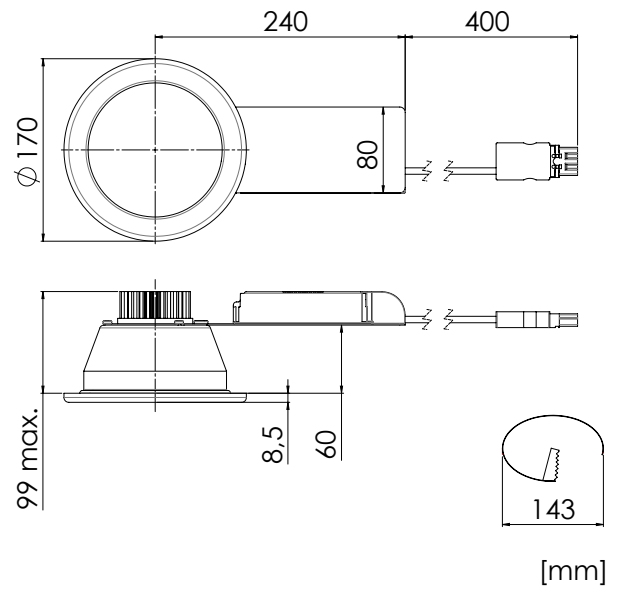
★ EXTRAS

- > 120 V AC execution
- > Different connectors
- > Different color temperatures
- > Dimmable
- > Emergency battery back-up

DL63S



DL63M / DL63L





DOWNLIGHT FOR ACCOMODATION AND PUBLIC AREAS

Design	According to rules of maritime classification societies and relevant standards
Housing	Galvanized steel, powder coated white (RAL9016)
Decorative ring	Gold, chrome or colors in accordance with RAL or NCS. Optional with cover (has to be ordered separately, see page 111)
Cover	Different covers available (see page 111)
Reflector	Chrome
Mounting	Max. 6 mounting holes, Ø 4.5 mm
Connection type	Connection cable with Wago 3-pole plug
Protection class	IP20 / IP44 with lens
Light source	Compact fluorescent lamp (not included)
Wattage	1x 13 W / 1x 18 W / 1x 26 W
Voltage	220-240 V AC
Frequency	50-60 Hz



PART NO.

DL52/DL63

5501xxxxxx-xxx

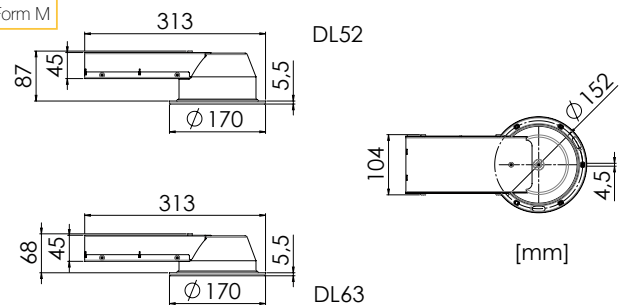
TYPE	W	BASE	PART NO.	WEIGHT
DL52 M 13 W	G24q-1	5501007900-xxx	0.85 kg	
DL63 M 13 W	G24q-1	5501007800-xxx	0.80 kg	
DL52 M 18 W	G24q-2	5501006300-xxx	0.85 kg	
DL63 M 18 W	G24q-2	5501007000-xxx	0.80 kg	
DL52 L 13 W *	G24q-1	5501009300-xxx	1.20 kg	
DL63 L 13 W *	G24q-1	5501009400-xxx	1.50 kg	
DL52 L 18 W *	G24q-2	5501006500-xxx	1.20 kg	
DL63 L 18 W *	G24q-2	5501007300-xxx	1.15 kg	
DL52 L 26 W	GX24q-3	5501006700-xxx	1.40 kg	

* DIM

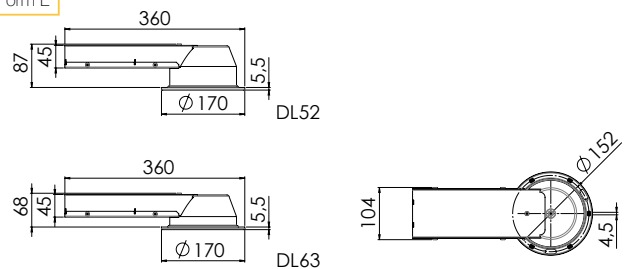
EXTRAS

- > 120 V AC execution
- > 230 V LED emergency operation
- > B0 execution
- > Emergency battery back-up
- > Different connectors
- > Built-in connectors (type Ensto)

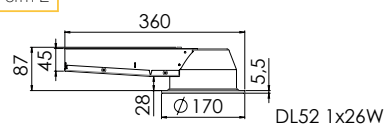
Form M



Form L



Form L





Form A1, 5543000100-001
Zinc coated steel, powder coated RAL9016



Form A1, 5543000100-004
Stainless steel, gold



Form A2, 5543000200-006
Zinc coated steel, lacquered
anodized silver with satined glass



Form A2, 5543000200-018
Stainless steel, nickel brushed with
outside satined / center clear Ø 60 mm glass



Form A2, 5543000200-033
Zinc coated steel, chrome plated with
inside satined Ø 111 mm / outside clear glass



Form A2, 5543000200-043
Zinc coated steel, chrome plated with
PMMA ice crystal lens

Different finishes on request



WATERTIGHT DOWNLIGHT WITH REFLECTOR
FOR OUTDOOR AREAS

Design	According to rules of maritime classification societies and relevant standards
Housing	Stainless steel, powder coated black (RAL9005)
Decorative ring	Stainless steel, brushed
Cover	Satined glass
Reflector	Aluminium, chrome
Mounting	3 mounting holes, Ø 4.5 mm
Connection type	Connection cable with Wieland 3-pole plug
Protection class	IP55
Weight	1.8 kg
Light source	Compact fluorescent lamp (included)
Lamp base	G24q-1
Wattage	1x 13 W
Voltage	220-240 V AC
Frequency	50-60 Hz

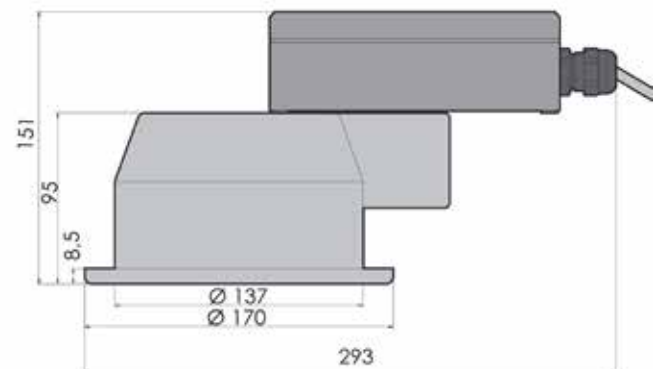
PART NO.

DL53

5401006600-001

★ EXTRAS

- Dimmable electronic ballast
- 120 V AC execution
- Different finishes
- Different covers





FLAT SURFACE LED DOWNLIGHT FOR WALL AND CEILING MOUNTING, WITH CHANGEABLE COVER RING OF VARIOUS COLORS

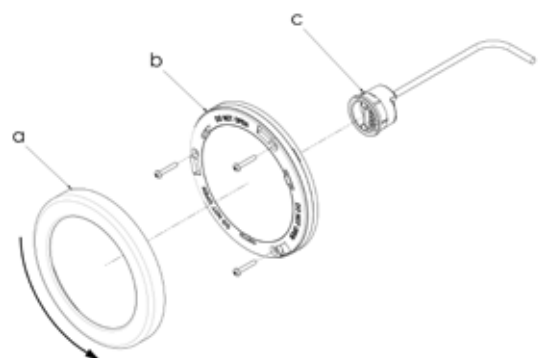
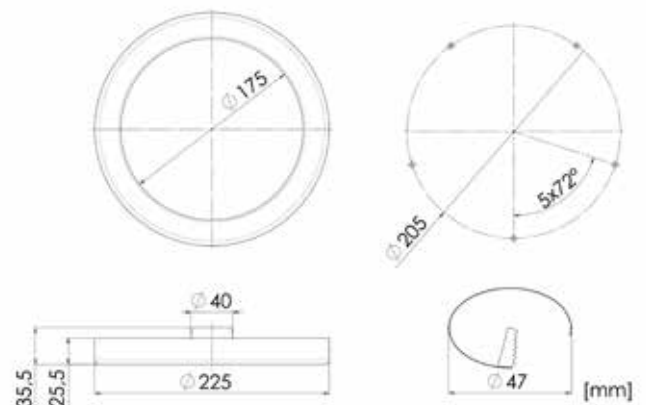
Design	According to rules of maritime classification societies and relevant standards
Housing	Polycarbonate
Decorative ring	Steel (has to be ordered separately)
Cover	Polycarbonate, opal
Mounting	5 mounting holes, Ø 4.6 mm
Connection type	Contact plug / ceiling connector with Wago 3-pole plug (has to be ordered separately)
Protection class	IP20
Weight	0.85 kg
Light source	Cluster LP LED module
Luminous flux	1,050 lm
Wattage	Max. 20 W
Equivalent	26 W CFL / 2x 18 W CFL / 2x 18 W FL
CCT (color)	2,700 K
CRI	≥ 80
Voltage	220-240 V AC
Frequency	50-60 Hz

PART NO.

DL225	5503000800-006
Ring RAL 9016	5532002100-006
Ring chrome	5532002100-002
Connector	5533001100-001

★ EXTRAS

- > Emergency light operation
- > Different connectors
- > Connector units for B0 / B15 application available
- > Different color temperatures
- > Different finishes



MODULAR SQUARE LED DOWNLIGHT

DL110Q



5

ADJUSTABLE DOWNLIGHT FOR ACCOMODATION
AND PUBLIC AREAS

Design	According to rules of maritime classification societies and relevant standards
Housing	Polycarbonate, black
Decorative frame	Zinc coated steel, powder coated white (RAL9016)
Mounting	Swiveling insert for ceilings up to 20 mm
Connection type	Connection cable with Wago 3-pole plug
Protection class	IP20
Weight	Depends on execution
Light source	LED module
Wattage	Max. 11 W / module
CCT (color)	3,000 K
CRI	≥ 80
Voltage	220-240 V AC
Frequency	50-60 Hz

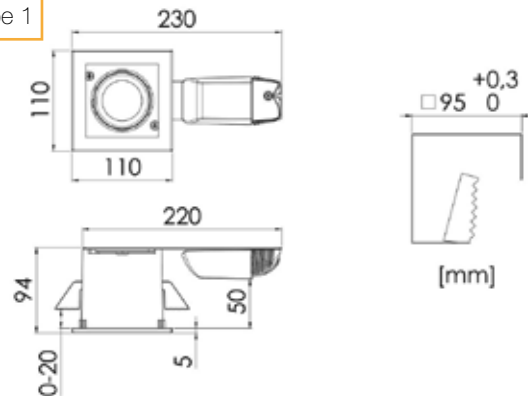
PART NO.

DL110Q 1 module	5404001200-002
DL110Q 2 modules	5404001300-002
DL110Q 3 modules	5404001400-002

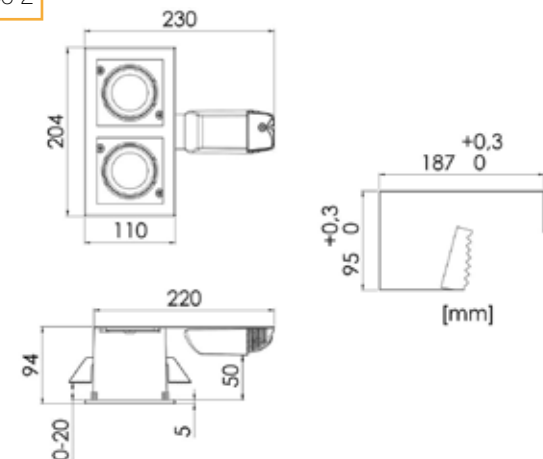
★ EXTRAS

- Different connectors
- Different transformers
- Different finishes

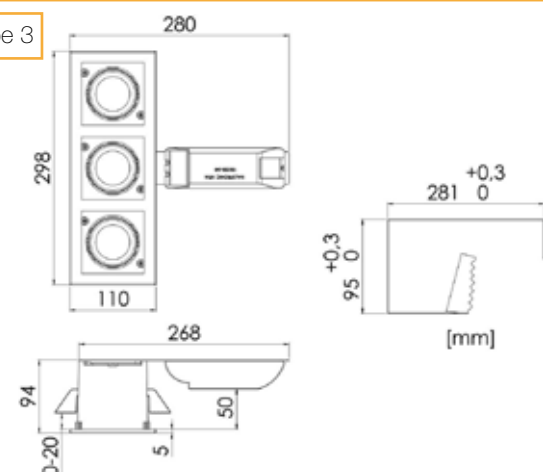
Type 1



Type 2











Type 3









	HL25	118
	HL26	119
	TL09 SIGN	120
	HL71	121
	HL13	122
	HL15	123
	HL20/21	124
	HL65	125



ILLUMINATED LED SIGN FOR ESCAPE ROUTES
WITH SNAP-IN PICTOGRAM PANE,
FOR QUICK AND EASY MOUNTING

Design	According to rules of maritime classification societies and relevant standards
Housing	Polycarbonate
Frame	Stainless steel, brushed
Sign	PMMA. Pictogram on customer requirements (has to be ordered separately)
Mounting	4 mounting holes, \varnothing 4.2 mm
Connection type	Connection cable with Wago 3-pole plug
Protection class	IP20
Weight	1.2 kg (with pictogram)
Light source	Linear LP LED module
Wattage	Max. 1.6 W
Voltage	220-240 V AC
Frequency	50-60 Hz

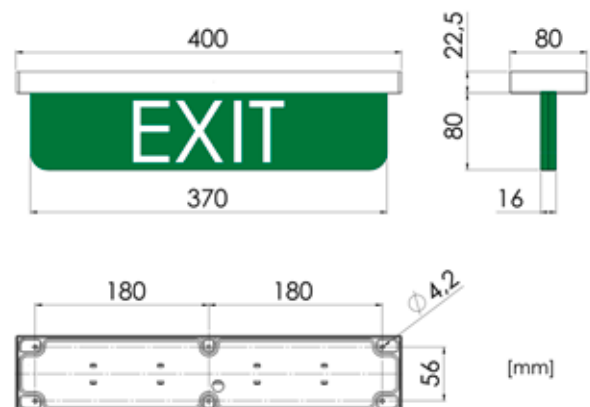
PART NO.

HL25 (without sign)

5522000900-001

EXTRAS

- > 24 V DC execution
- > 120 V AC execution
- > Different finishes
- > Different connectors



**PART NO.**

HL26 (without sign)

5522001000-004

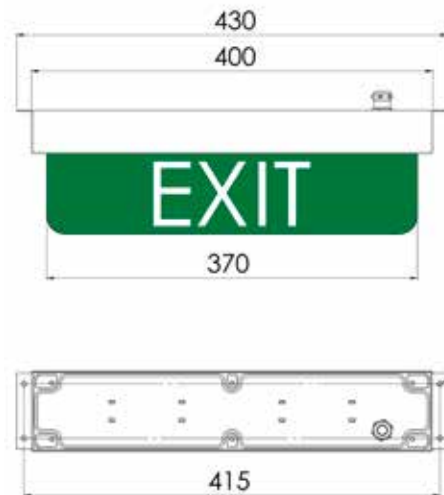
★ EXTRAS

- > 24 V DC execution
- > 120 V AC execution
- > Different finishes
- > Different connectors



ILLUMINATED LED SIGN FOR ESCAPE ROUTES
WITH SNAP-IN PICTOGRAM PANE
FOR OUTDOOR AREAS

Design	According to rules of maritime classification societies and relevant standards
Housing	Polycarbonate
Frame	Stainless steel, brushed
Sign	PMMA. Pictogram on customer requirements (has to be ordered separately)
Mounting	4 mounting holes, Ø 5 mm
Connection type	Connection cable with Wieland 3-pole plug
Protection class	IP67
Weight	2.0 kg (with pictogram)
Light source	Linear LP LED module
Wattage	Max. 1.6 W
Voltage	220-240 V AC
Frequency	50-60 Hz





ILLUMINATED LED SIGN FOR DECKS, STORES
AND ENGINE ROOMS

Design	According to rules of maritime classification societies and relevant standards
Housing	Steel, zinc plated powder coated white (RAL9016)
Mounting	2 mounting holes, Ø 9 mm
Cable entry	2 cable glands M20x1.5, brass for cables Ø 6-13 mm
Connection type	Terminal 3-pole (under cable entry)
Cover	Opal polycarbonate, foil included
Protection class	IP67
Weight	1.5 kg
Light source	Linear LP LED module
Wattage	Max. 4 W
Equivalent	1x 9 W CFL
CCT (color)	4,000 K
CRI	≥ 80
Voltage	220-240 V AC
Frequency	50-60 Hz

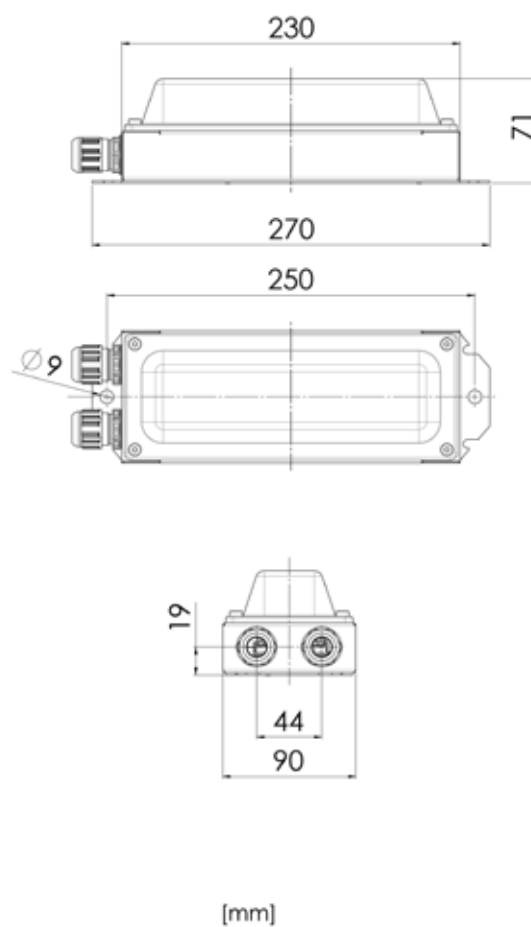
PART NO.

TL09 Sign

5122004400-002

EXTRAS

- > 120 V AC execution
- > 24 V DC execution
- > Stainless steel housing
- > Emergency battery back-up, with test switch, 1 W
- > Different cable glands
- > Different pictograms on customer requirements



EMERGENCY LUMINAIRE, LED, RECESSED

HL71



6



PART NO.

HL71 (w/o sign and frame) 5521000200-006

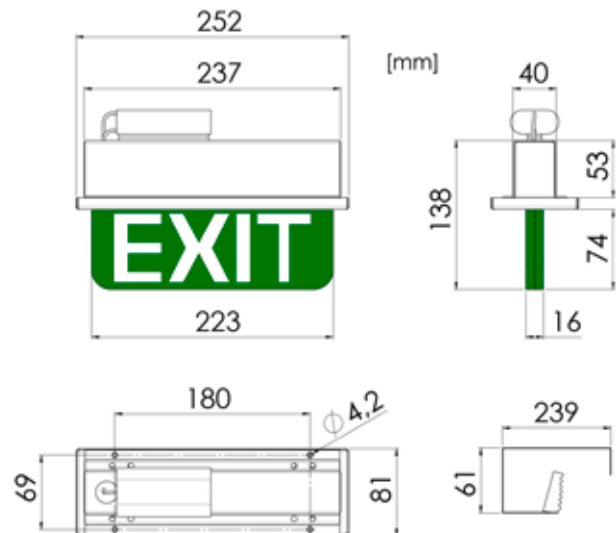
HL71 3h BU (w/o sign and frame) 5521000200-004

★ EXTRAS

- > Different finishes
- > Different connectors

ILLUMINATED LED SIGN FOR ESCAPE ROUTES

Design	According to rules of maritime classification societies and relevant standards
Housing	Steel, zinc plated
Frame	Different finishes (has to be ordered separately)
Sign	PMMA. Pictogram on customer requirements (has to be ordered separately)
Mounting	4 mounting holes, Ø 4.2 mm
Connection type	Connection cable with Wago 3-pole plug
Protection class	IP20
Weight	1.2 kg (with pictogram)
Light source	Linear LED module
Wattage	Max. 2 W
Voltage	HL71 220-240 V AC HL71 BU 120-240 V AC
Frequency	50-60 Hz





ILLUMINATED SIGN, SURFACE MOUNTING,
FOR ESCAPE ROUTES IN OUTDOOR AREAS

Design	According to rules of maritime classification societies and relevant standards
Housing	Stainless steel, powder coated white (RAL9016)
Frame	Stainless steel, powder coated white (RAL9016)
Sign	PMMA. Pictogram on customer requirements (has to be ordered separately)
Mounting	8 mounting holes, Ø 5 mm
Cable entry	Max. 4 cable glands, PG 13.5 brass, for cables Ø 8-15 mm
Protection class	IP67
Weight	4.2 kg (with pictogram)
Light source	Compact fluorescent lamp (not included)
Lamp base	2G7
Wattage	1x 11 W
Voltage	220-240 V AC
Frequency	50-60 Hz

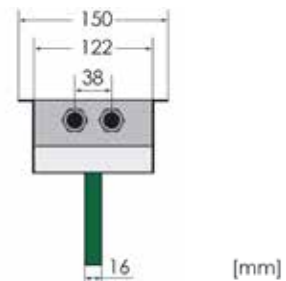
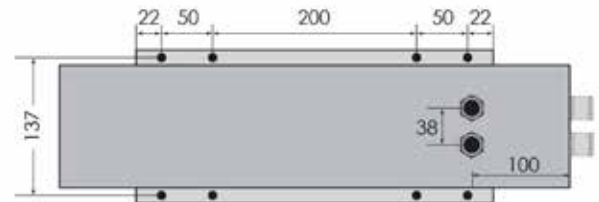
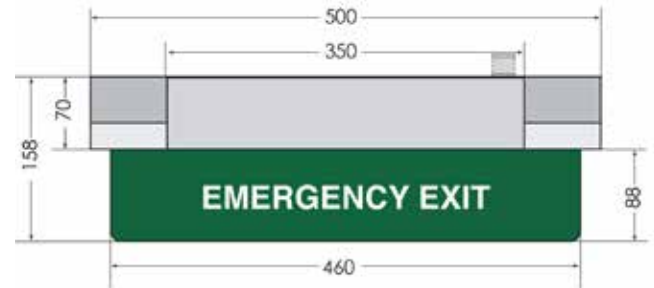
PART NO.

HL13

5122000301-xxx

★ EXTRAS

- > 120 V AC execution
- > Emergency battery back-up (LED)



[mm]

**LED SOLUTION**

HL15	5122004200-000
Light source	Single LED module
Wattage	2.4 W
Voltage	220-240 V AC

FLUORESCENT SOLUTION

HL15	5522000100-002
Light source	Compact fluorescent lamp (not included)
Lamp base	2G7
Wattage	1x 11 W
Voltage	220-240 V AC

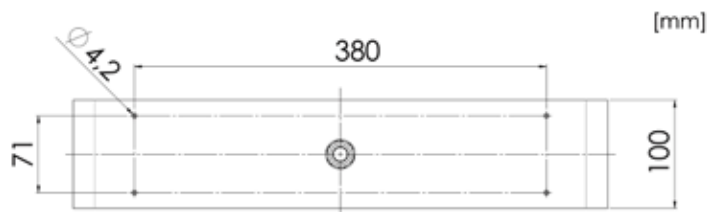
★ EXTRAS

- > 24 V AC execution
- > Different connectors



ILLUMINATED SIGN FOR ESCAPE ROUTES
WITH CHANGEABLE PICTOGRAM PANES

Design	According to rules of maritime classification societies and relevant standards
Housing	Aluminium, powder coated white (RAL9016)
Sign	PMMA. Pictogram on customer requirements (has to be ordered separately)
Mounting	4 pre-installed screws
Connection type	Connection cable with WAGO-Winsta 3-pole plug
Protection class	IP40
Weight	1.8 kg (with pictograms)
Frequency	50-60 Hz



[mm]



ILLUMINATED SIGN FOR ESCAPE ROUTES

Design	According to rules of maritime classification societies and relevant standards
Housing	Galvanized steel
Frame	Stainless steel, polished
Sign	PMMA. Pictogram on customer requirements (has to be ordered separately)
Mounting	4 mounting holes, Ø 4.5 mm
Connection type	Connection cable with Wago 3-pole plug
Protection class	IP20
Weight	2.1 kg (HL20) / 2.9 kg (HL21) (with pictogram)
Light source	T5 fluorescent tube (not included)
Lamp base	G5
Wattage	1x 8 W (HL20) / 2x 8 W (HL21)
Voltage	220-240 V AC
Frequency	50-60 Hz

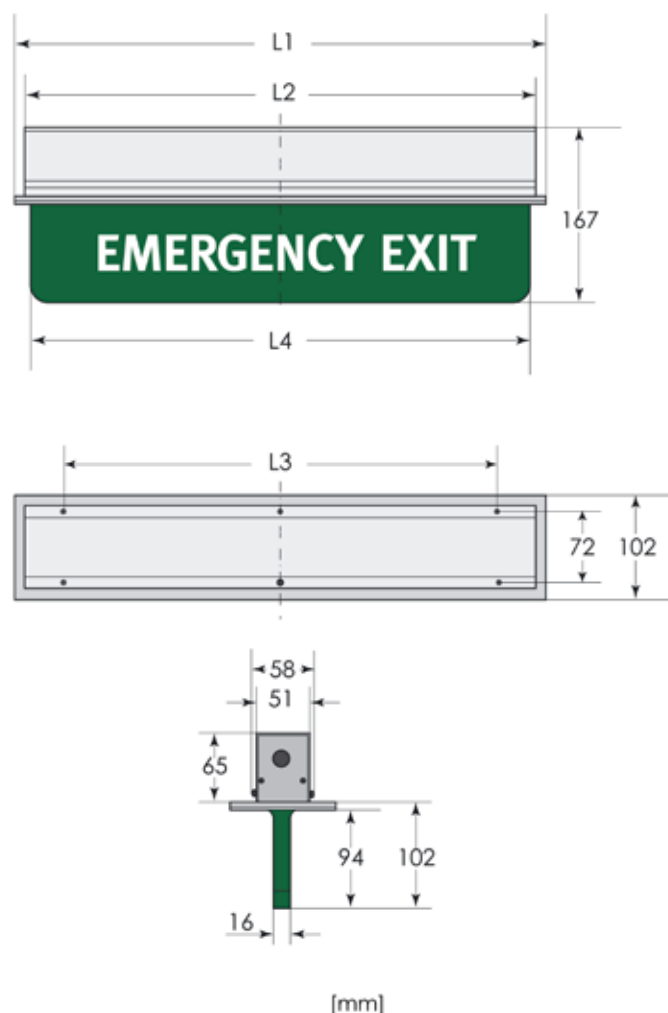
PART NO.

HL20	5521000300-003
HL21	5521000600-003

★ EXTRAS

- > 120 V AC execution
- > Emergency battery back-up
- > Different connectors
- > Different finishes

TYPE	L1	L2	L3	L4	X
HL20	490	478	400	460	480
HL21	670	658	580	640	660





ILLUMINATED LED SIGN FOR ESCAPE ROUTES,
WALL MOUNTED, FOR OUTDOOR AREAS

Design According to rules of maritime classification societies and relevant standards

Housing Polycarbonate, white

Mounting Holes

Connection type Terminal

Sign Three standard foils included:



Protection class IP65

Weight 1.2 kg

Light source LED

Wattage 1x 2,5 W

Voltage 230 V AC

Frequency 50-60 Hz

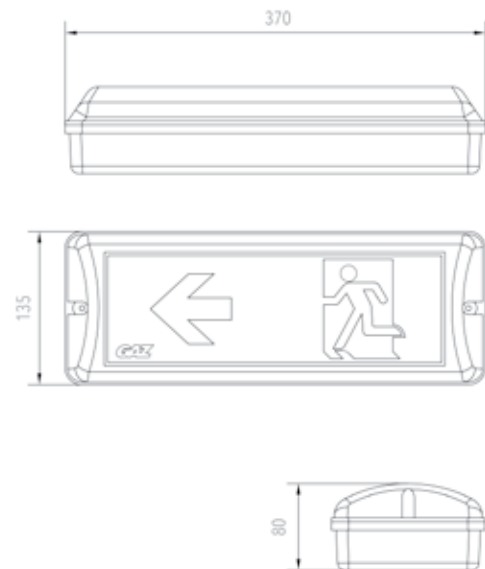
PART NO.

HL65 5122004700-003

HL65 3h BU 5122004700-001

EXTRAS

- > Different foils
- > Ceiling mounting







TI14

128



TI20

129



TI20

130



TI20

131



TI20

132



TI65

133

CHART TABLE LIGHT

T14

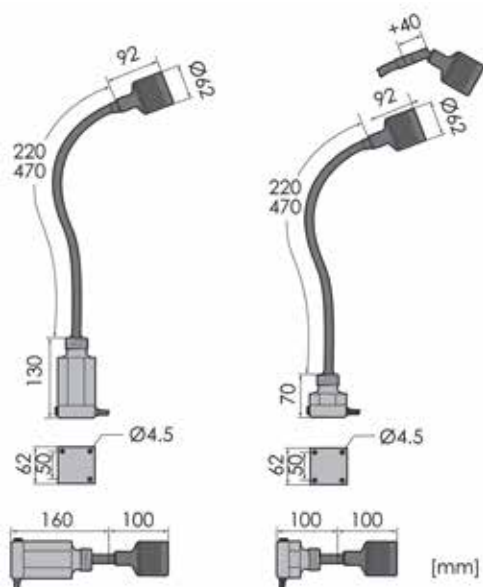


7



CHART TABLE LIGHT WITH FLEXIBLE ARM AND SWITCH IN BASE

Design	According to rules of maritime classification societies and relevant standards
Housing	Metal / plastics, black
Switch	In base
Mounting	Base mounting, 4 mounting holes \varnothing 4.5 mm
Connection type	Connection cable with plug
Protection class	IP20
Weight	1.4 kg
Flex arm	500 mm



LED SOLUTION

T114	5135007400-000
Light source	MR16 LED
Wattage	Max. 3 W
CCT (color)	3,000 K
Lamp base	GU5.3
Voltage	230 V AC
Frequency	50-60 Hz

HALOGEN SOLUTION

T114 with integrated transformer (230 V)	5135000600-002
T114 with dimmer (12 V) (transformer has to be ordered separately)	5135000700-002
Light source	QT9 halogen lamp (not included)
Lamp base	G4
Wattage	1x 20 W

SPARE PARTS

PART NO.

Red lens	7112004300
Transformer 120 V / 12 V	7103009500
Transformer 230 V / 12 V	7103014600

EXTRAS

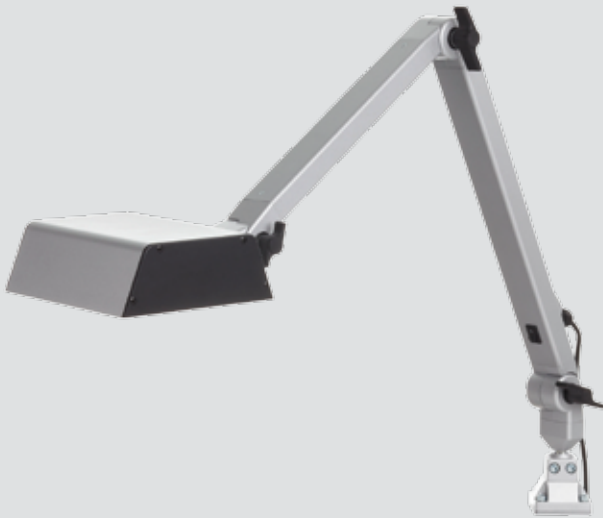
- > 24 V execution
- > Switch in pedestal
- > Jointed lamp head
- > IP65
- > Different arm lengths (250 mm / 700 mm)

LED TABLE LIGHT

T120



7



PART NO.

T120

5135000500-005

★ EXTRAS

- > IP54
- > Different fixing kits

LED TABLE LIGHT, ADJUSTABLE

Design	According to rules of maritime classification societies and relevant standards
Housing	Aluminium, plastics
Switch	In the lower tubular section of the arm
Mounting	Table clamp, 16-85 mm opening
Cover/diffuser	Aluminium, plastics
Connection type	Connection cable with Schuko plug
Protection class	IP20
Weight	3.0 kg
Light source	LED
Luminous flux	1,400 lm
Wattage	Max. 8 W
CCT (color)	5,000 K
CRI	≥ 80
Voltage	230 V AC
Frequency	50-60 Hz

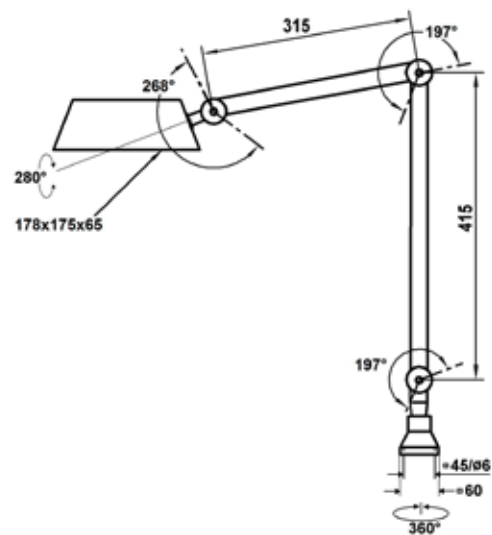


TABLE LIGHT

T120



7



PART NO.

T120

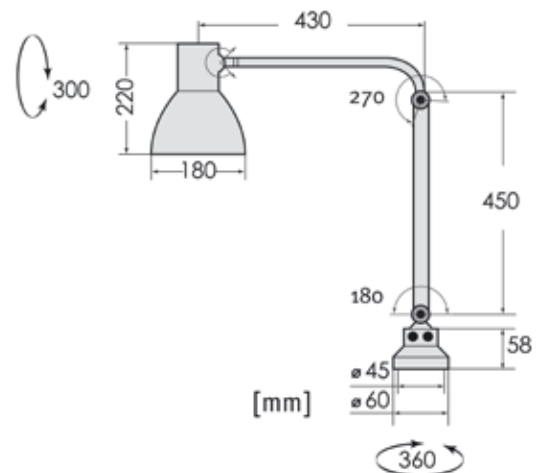
5135000300

★ EXTRAS

> IP54

TABLE LIGHT, ADJUSTABLE

Design	According to rules of maritime classification societies and relevant standards
Housing	Metal, silver (RAL9006) Friction-arm
Switch	In lighting head
Mounting	Base mounting
Connection type	Connection cable with Schuko plug
Protection class	IP20
Weight	1.5 kg
Lamp base	E27 (lamp not included)
Wattage	Max. 100 W
Voltage	110/240 V AC or 24 V DC
Frequency	50-60 Hz or 0 Hz



MAGNIFIER LED TABLE LIGHT, DIMMABLE

T120



7

PART NO.

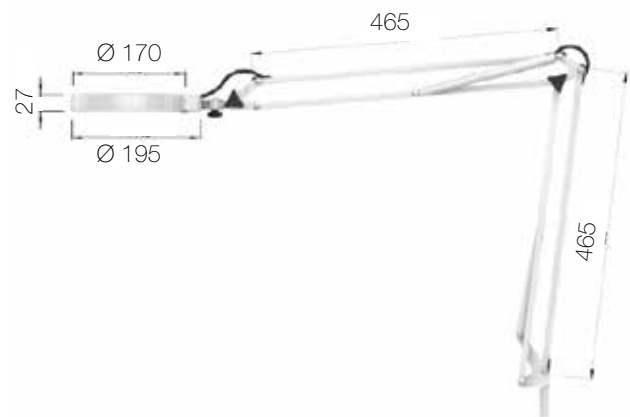
T120

5135012400-001



MAGNIFIER LED TABLE LIGHT, ADJUSTABLE

Design	According to rules of maritime classification societies and relevant standards
Housing	Steel, white (RAL9010)
Electrical execution	Dimmable in three steps 12% / 50% / 100%
Cover/diffuser	Polycarbonate
Lens	Biconvex glass lens Ø 120 mm, 3 diopters 1,75 x power
Switch	In lighting head
Mounting	Table mounting
Connection type	Connection cable with Euro plug
Protection class	IP20
Weight	2.0 kg
Light source	LED
Wattage	Max. 5,3 W
CCT (color)	5,000 K
CRI	≥ 80
Voltage	100-240 V AC
Frequency	50-60 Hz





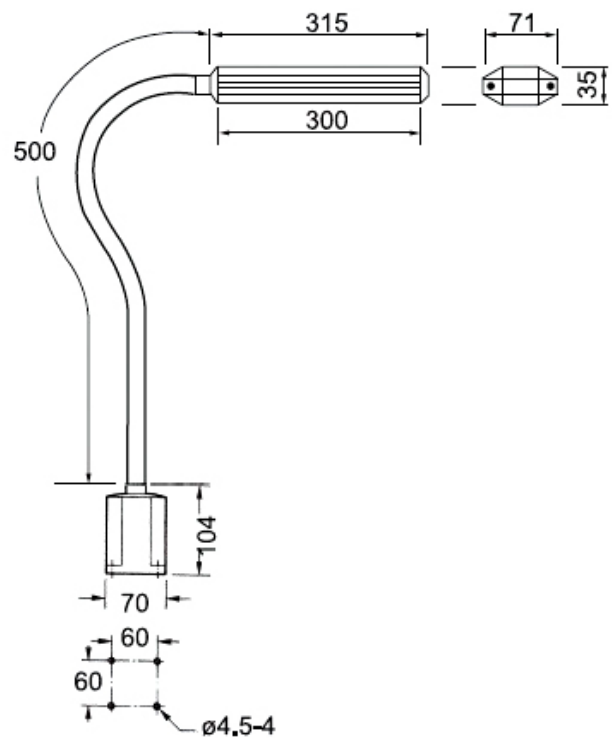
LED TABLE LIGHT WITH SYMMETRIC LIGHT DISTRIBUTION,
SWITCHABLE, WITH OPERATING BUTTON

Design	According to rules of maritime classification societies, additional VDE and IEC
Housing	Aluminium / plastic (RAL9005)
Electrical execution	Button 1: switching the light color Button 2: on/off and stepwise adjust of the illuminance Dimmable
Cover/diffuser	Prismatic diffuser
Switch	In base
Mounting	Table mounting
Connection type	Connection cable with Euro plug
Protection class	IP20
Weight	1.5 kg
Light source	LED
Wattage	Max. 14 W
CCT (color)	5,000 K
CRI	≥ 80
Voltage	100-240 V AC
Frequency	50-60 Hz

PART NO.

T120

5135011300-001





PART NO.

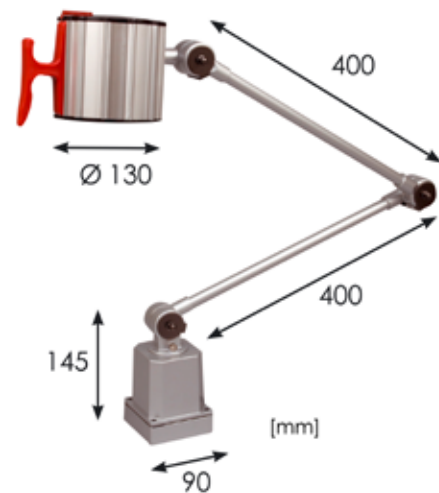
T165

5135007700-000



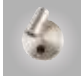

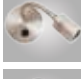








FRICION-ARM LED MACHINE LIGHT WITH SWITCH
FOR WORKBENCHES WITH HARSH AMBIENT
CONDITIONS

Design	According to rules of maritime classification societies and relevant standards
Housing	Aluminium / steel / GRP
Cover/diffuser	Glass
Mounting	Base mounting, 4 mounting holes \varnothing 4.5 mm
Connection type	Connection cable with rubber plug
Protection class	IP65
Weight	2.9 kg
Light source	LED module
Wattage	Max. 12 W
Equivalent	50 W halogen
Voltage	100-240 V AC
Frequency	50-60 Hz







	WL100	136
	WL100Q	137
	WL30	138
	WL30Q	139
	WL282	140
	WL28	141
	WL64	142
	WL55	143
	WL77	144
	WL MELISSA	145
	MONTREAL	146



PART NO.

WL100

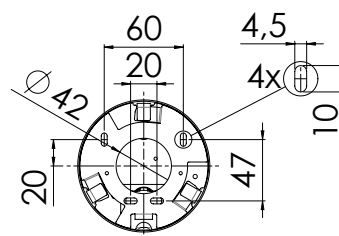
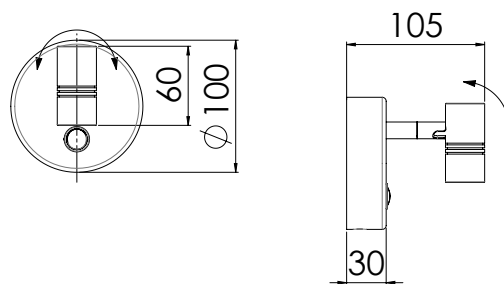
5127011200-001

★ EXTRAS

- > 24 V DC execution
- > Different finishes
- > Different color temperatures

ADJUSTABLE LED READING LIGHT WITH SWITCH
FOR CABINS AND ACCOMODATION AREAS

Design	According to rules of maritime classification societies and relevant standards
Housing	Stainless steel, brushed
Mounting	4 mounting holes, Ø 4.5 mm
Switch	1-pole switch
Cable entry	Ø 42 mm
Swivel range	350°
Protection class	IP20
Weight	0.6 kg
Light source	LED
CCT (color)	2,700 K
Wattage	Max. 1 W
Voltage	120-240 V AC
Frequency	50-60 Hz



[mm]

LED READING LIGHT

WL100Q



8



PART NO.

WL100Q

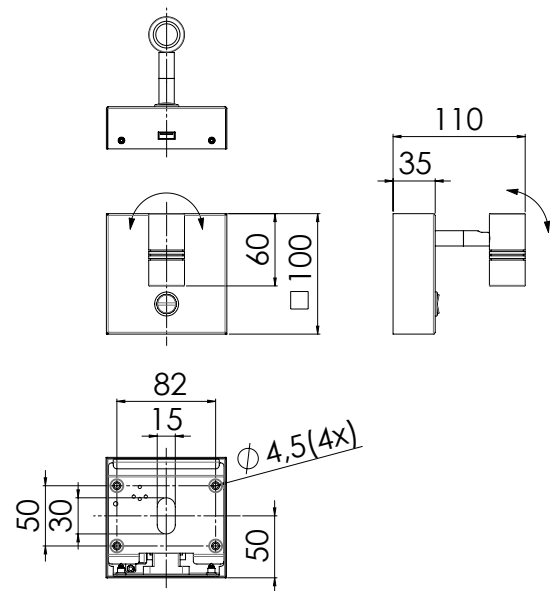
5127012400-002

★ EXTRAS

- > Different finishes
- > Different color temperatures

ADJUSTABLE LED READING LIGHT WITH SWITCH
FOR CABINS AND ACCOMODATION AREAS
WITH INTEGRATED USB CHARGER

Design	According to rules of maritime classification societies and relevant standards
Housing	Stainless steel, brushed
Mounting	4 mounting holes, \varnothing 4.5 mm
Switch	1-pole switch
Cable entry	30 mm x 15 mm
Svivel range	350°
Protection class	IP20
Weight	0.7 kg
Light source	LED
CCT (color)	2,700 K
Wattage	Max. 1 W
Voltage	120-240 V AC
Frequency	50-60 Hz



[mm]

LED READING LIGHT

WL30



8



ADJUSTABLE LED READING LIGHT WITH SWITCH
FOR CABINS AND ACCOMODATION AREAS

Design	According to rules of maritime classification societies and relevant standards
Housing	Stainless steel, brushed
Mounting	4 mounting holes, \varnothing 4.5 mm
Switch	1-pole switch
Cable entry	\varnothing 42 mm
Protection class	IP20
Weight	0.5 kg
Light source	LED
CCT (color)	2,700 K
Wattage	Max. 1 W
Voltage	120-240 V AC
Frequency	50-60 Hz

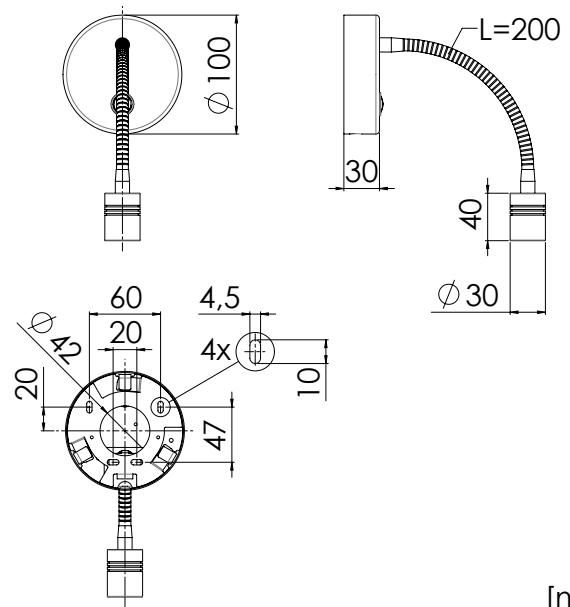
PART NO.

WL30

5127012100-001

★ EXTRAS

- > 24 V DC execution
- > Different color temperatures



[mm]



ADJUSTABLE LED READING LIGHT WITH SWITCH FOR CABINS AND ACCOMODATION AREAS WITH INTEGRATED USB CHARGER

Design	According to rules of maritime classification societies and relevant standards
Housing	Stainless steel, brushed
Mounting	4 mounting holes, \varnothing 4.5 mm
Switch	1-pole switch
Cable entry	30 mm x 15 mm
Protection class	IP20
Weight	0.7 kg
Light source	LED
CCT (color)	2,700 K
Wattage	Max. 1 W
Voltage	120-240 V AC
Frequency	50-60 Hz

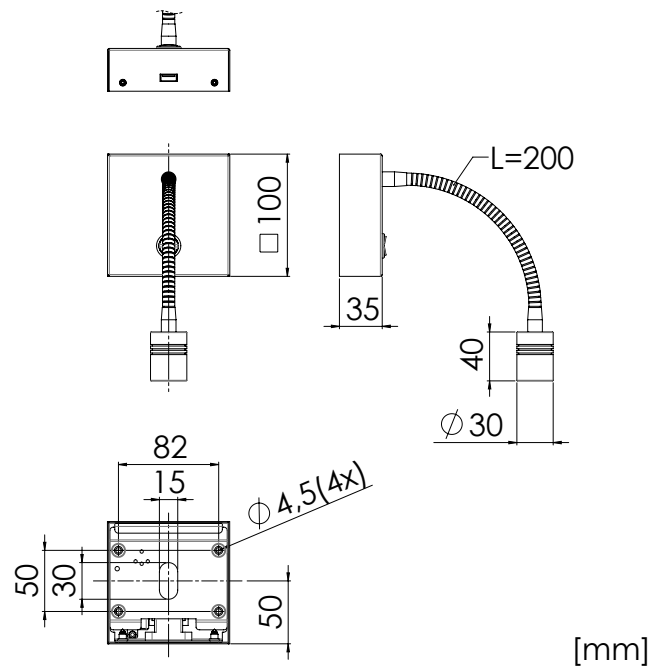
PART NO.

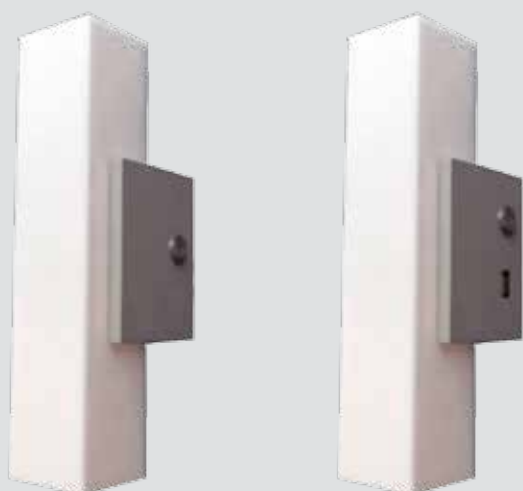
WL30Q

5127012100-002

EXTRAS

- > Different finishes
- > Different color temperatures





With USB

WALL LIGHT WITH SWITCH FOR CABINS
AND ACCOMODATION AREAS

Design	According to rules of maritime classification societies and relevant standards
Housing	Aluminium, RAL9006
Diffuser	Polycarbonate, opal
Mounting	4 mounting holes, Ø 4.5 mm
Switch	1-pole switch
Cable entry	Ø 24 mm
Protection class	IP20
Voltage	220-240 V AC
Frequency	50-60 Hz

LED SOLUTION

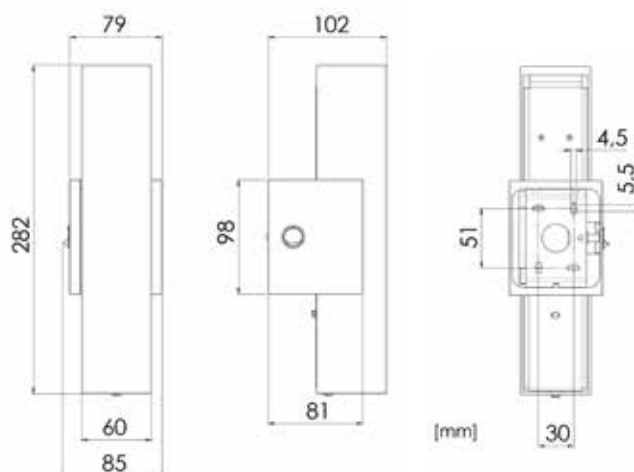
WL282 switch left	5130007500-003
WL282 switch right	5130007500-004
WL282 with USB switch left	5130007500-008
WL282 with USB switch right	5130007500-007
Light source	LED
Weight	0.9 kg
Wattage	Max. 1x 6 W
CCT (color)	3,000 K
CRI	≥ 90

FLUORESCENT SOLUTION

WL282 switch left	5130007500-005
WL282 switch right	5130007500-006
Lamp base	2G7
Weight	1.0 kg
Light source	Compact fluorescent lamp (not included)
Wattage	1x 11 W

SPARE PARTS**PART NO.**

Diffuser	7934000600
----------	------------





PART NO.

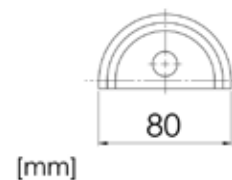
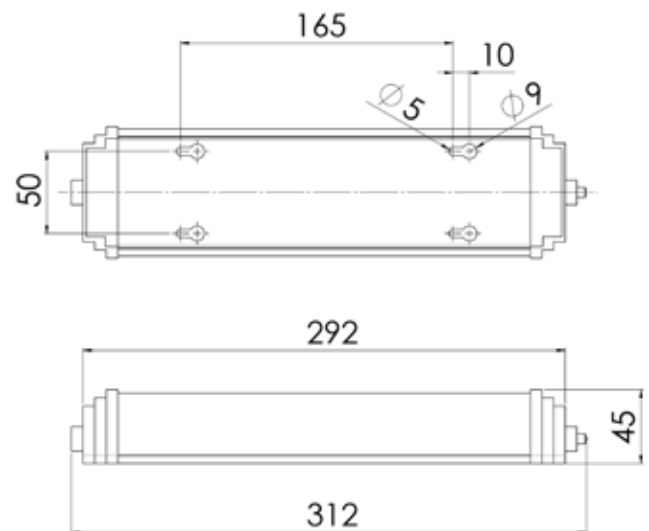
WL28

5130000400-001



DECORATIVE LED WALL AND MIRROR LUMINAIRE WITH SWITCH

Design	According to rules of maritime classification societies and relevant standards
Housing	Die-cast aluminium, nickel brushed
Diffuser	Opal
Mounting	Vertically or horizontally next to the mirror, 4 mounting holes, Ø 5 mm
Switch	2-pole switch
Protection class	IP20
Weight	0.6 kg
Light source	Linear LED module
CCT (color)	3,500 K
Wattage	Max. 6 W
CRI	≥ 80
Voltage	220-240 V AC
Frequency	50-60 Hz





Type A

Type B

DECORATIVE WALL LIGHT FOR CABINS,
LOUNGES AND ACCOMODATION AREAS

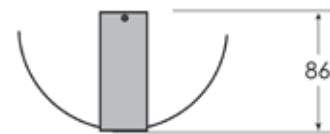
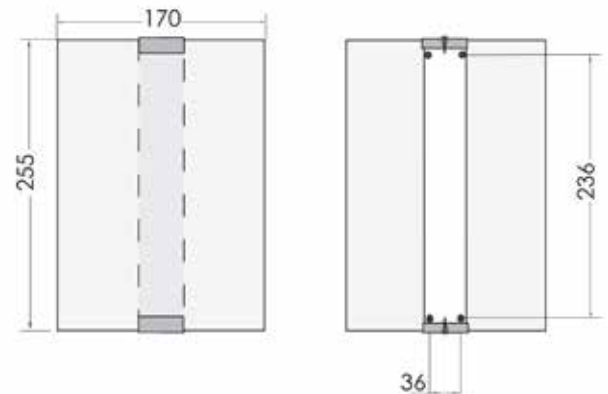
Design	According to rules of maritime classification societies and relevant standards
Housing	Chromium plated steel
Lamp shade	Polycarbonate, opal
Mounting	4 mounting holes, Ø 4 mm
Protection class	IP20
Weight	1.2 kg
Light source	Incandescent lamp or LED retrofit (not included)
Lamp base	E14
Wattage	Max. 25 W
Voltage	110/240 V AC or 24 V DC
Frequency	50-60 Hz or 0 Hz

PART NO.

WL64 Type A 5127013100-000

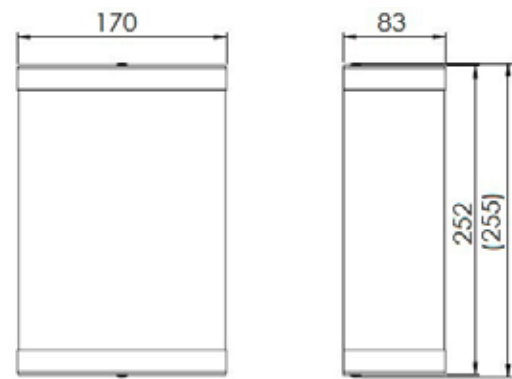
WL64 Type B 5127003700-005

Type A



[mm]

Type B



[mm]



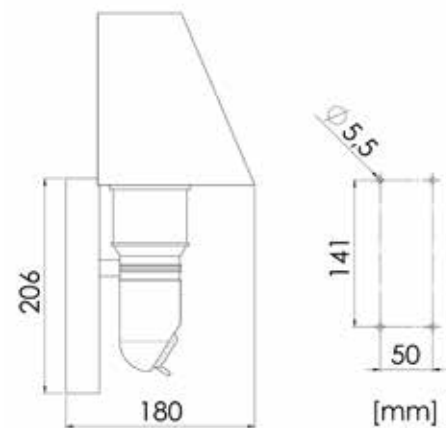
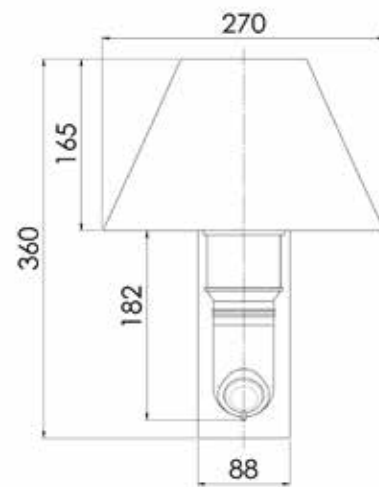
PART NO.

WL55

5127002001-015

DECORATIVE WALL LIGHT WITH SWITCH AND ADJUSTABLE LED READING LIGHT FOR CABINS

Design	According to rules of maritime classification societies and relevant standards
Housing	Brass, chromium plated
Lamp shade	White Perlatex, washable
Reading light	Max. 1W Power-LED 3,000 K, separately switchable
Mounting	4 mounting holes, \varnothing 5.5 mm
Cable entry	42 x 19 mm
Protection class	IP20
Weight	1.3 kg
Light source	Incandescent lamp or LED retrofit (not included)
CCT (color)	2,700 K
Lamp base	E27
Wattage	Max. 10 W
Voltage	220-240 V AC
Frequency	50-60 Hz





DECORATIVE WALL LIGHT WITH SWITCH FOR CABINS, LOUNGES AND ACCOMODATION AREAS

Design	According to rules of maritime classification societies and relevant standards
Housing	Brass
Diffuser	Polycarbonate, opal
Mounting	4 mounting holes, Ø 3 mm
Switch	1-pole switch
Cable entry	Ø 24 mm
Protection class	IP20
Weight	1.2 kg
Light source	Incandescent lamp or LED retrofit (not included)
Lamp base	E27
Wattage	max. 60 W
Voltage	110/240 V AC or 24 V DC
Frequency	50-60 Hz or 0 Hz

PART NO.

WL77

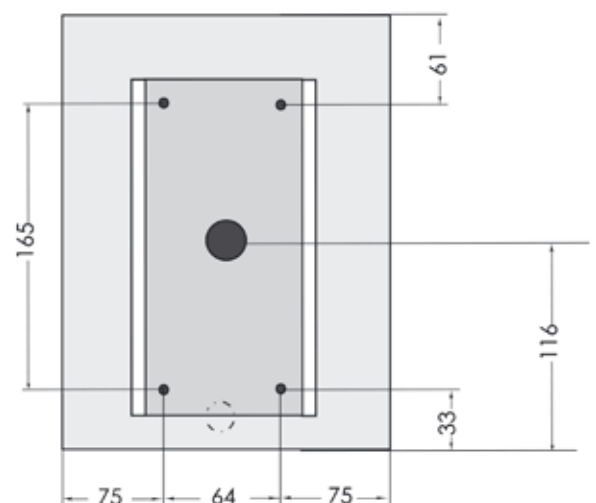
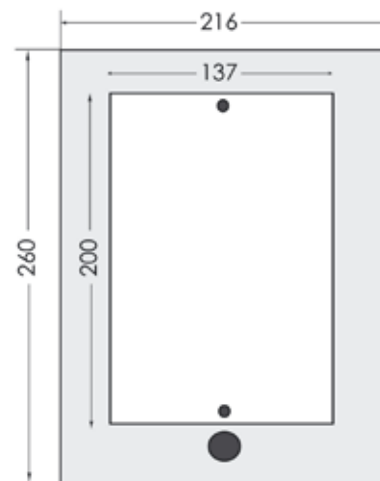
5127000900-001

SPARE PARTS

PART NO.

Diffuser

7112014100



[mm]



DECORATIVE WALL LIGHT WITH SWITCH
FOR CABINS

Design	According to rules of maritime classification societies and relevant standards
Housing	Brass, polished
Lamp shade	Beige Perlatex, washable
Mounting	4 mounting holes, Ø 8 mm
Switch	1-pole switch
Cable entry	Ø 21 mm
Protection class	IP20
Weight	0.7 kg
Light source	Incandescent lamp or LED retrofit (not included)
Lamp base	E27
Wattage	Max. 60 W
Voltage	110/240 V AC or 24 V DC
Frequency	50-60 Hz or 0 Hz

PART NO.

WLMelissa

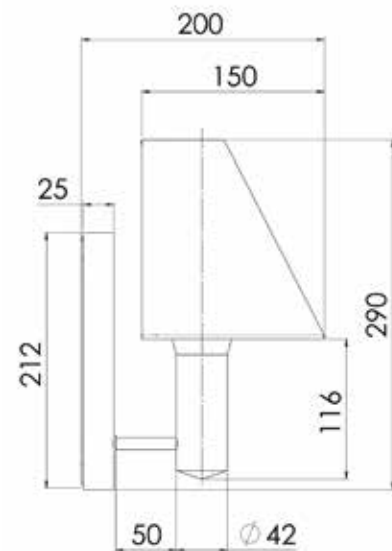
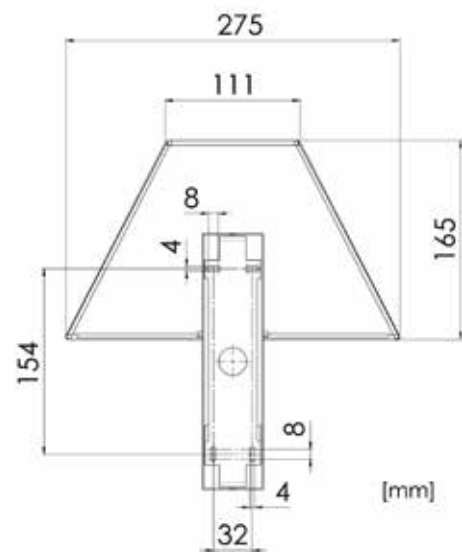
5127001800

SPARE PARTS

PART NO.

Lamp shade

7112010700



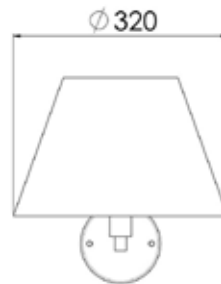


DECORATIVE LIGHTING SERIES
FOR LIVING ROOMS

Design	According to rules of maritime classification societies and relevant standards
Housing	nickel matte or brass polished
Lamp shade	Chintz, creme white
Terminal	3-pole plug
Cable entry	Ø 21 mm
Protection class	IP20
Light source	Incandescent lamp or LED retrofit (not included)
Lamp base	E27
Wattage	Max. 60 W / 100 W (floor lamp)
Voltage	110/240 V AC or 24 V DC
Frequency	50-60 Hz or 0 Hz

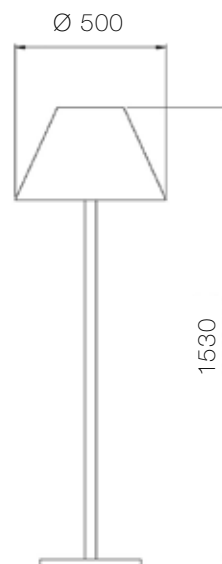
PART NO. WALL LIGHT

Wall light, nickel matte	5127014000-001
Wall light, brass polished	5127014000-002
Screw mounting	Screw type base for wall mounting



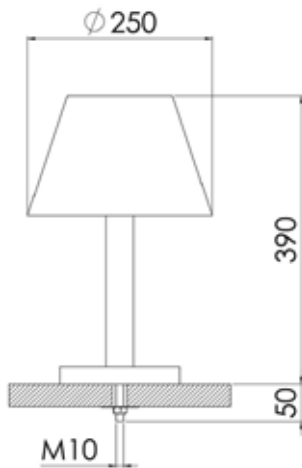
PART NO. FLOOR LAMP

Floor lamp, nickel matte	5131003500-001
Floor lamp, brass polished	5131003500-002
Connection type	Power cord with Euro plug



**PART NO. TABLE LIGHT SMALL**

Table light S, nickel matte	5135012700-001
Table light S, brass polished	5135012700-002
Connection type	Power cord with Euro plug and switch



Wall light



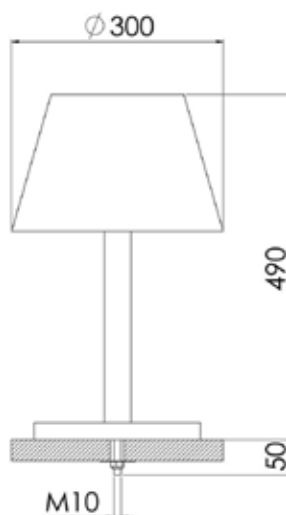
Table light, small



Table light, large

PART NO. TABLE LIGHT LARGE

Table light L, nickel matte	5135012600-001
Table light L, brass polished	5135012600-002
Connection type	Power cord with Euro plug and switch



Floor lamp



DECORATIVE LIGHTING SERIES
FOR LIVING ROOMS

Design	According to rules of maritime classification societies and relevant standards
Housing	nickel matte or brass polished
Lamp shade	Chintz, natural white
Terminal	3-pole plug
Cable entry	Ø 21 mm
Protection class	IP20
Light source	Incandescent lamp or LED retrofit (not included)
Lamp base	E27
Wattage	Max. 60 W / 100 W (floor lamp)
Voltage	110/240 V AC or 24 V DC
Frequency	50-60 Hz or 0 Hz

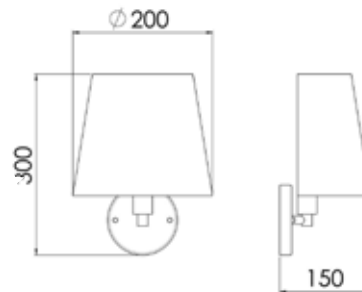
PART NO. WALL LIGHT

Wall light, nickel matte 5127013800-001

Wall light, brass polished 5127013800-002

Screw mounting

Screw type base for wall mounting



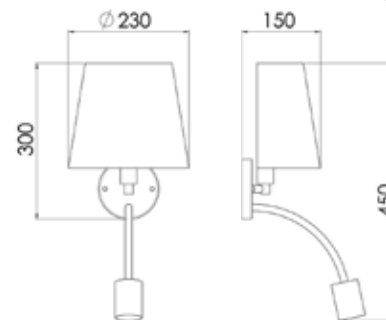
PART NO. WALL LIGHT WITH 3 W READING LIGHT

Wall light, nickel matte 5127013900-001

Wall light, brass polished 5127013900-002

Screw mounting

Screw type base for wall mounting



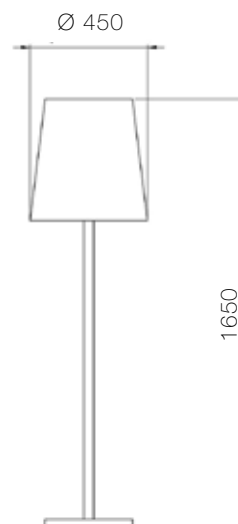
PART NO. FLOOR LAMP

Floor lamp, nickel matte 5131003400-001

Floor lamp, brass polished 5131003400-002

Connection type

Power cord with Euro plug



**PART NO. TABLE LIGHT SMALL**

Table light S, nickel matte	5135012900-001
Table light S, brass polished	5135012900-002
Connection type	Power cord with Euro plug and switch

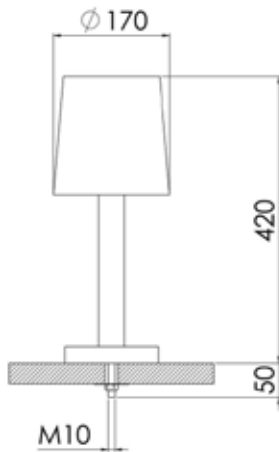
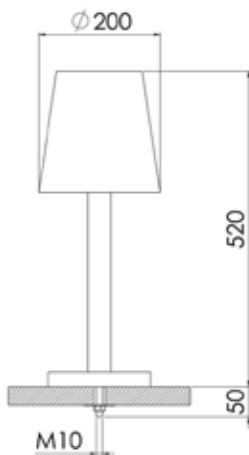
**PART NO. TABLE LIGHT TALL**

Table light L, nickel matte	5135012800-001
Table light L, brass polished	5135012800-002
Connection type	Power cord with Euro plug and switch



Wall light



Wall light with reading light



Table light, small



Table light, large



Floor lamp



IMPRINT

Technical modification reserved without prior notice.
The shown pictures are for illustrative purposes only.

Photos:

Volker Busch, Bremen
Hero Lang, Bremerhaven
Ingrid Fiebak, Leer
Meyer Werft, Papenburg
Aker MTW Schiffswerft, Wismar
Katja Koprek, Bremen

iStock:

S. 1 © Vice and Virtue, © WitthawatM, © vodniyaduh, © RapidEye
S. 6 © Hugo de Wolf / 36 Clicks Creative
S. 28 © Vice and Virtue
S. 33 © curraheeshutter
S. 50 © shayes17
S. 68 © dan_prat
S.116 © Enjoylife2
S.126 © Pi-Lens (Stephan Pietzko)
S.134 © rococofoto

Layout & realization:

Raumzeitmedia Design & Marketing GmbH, Bremen

INDEX

DA16FXS	64	KJ15	76
DA16FS/L	65	KJ56	74
DA30 2X9/11W	67	KJ62	77
DA110S/L	66	KJ144	75
DA FLEX L	63	KL/KR61ZS/L	40
DA FLEX S	62	KL62	43
DE02	52	KR61ZF	42
DE22 2X18/36W	61		
DE16XS	53	LL15	78
DE16S/L	54		
DE29S/L	55	MONTREAL	146
DE29SS/L	56		
DE29XS	57	SL97	48
DE38S/L	58	SP66	79
DE60	59	ST23	26
DE95 DCC S/L	60	ST68	27
DL01	82	ST76S	8
DL04	95	ST76M	9
DL27	106	ST76L	10
DL50	91	ST76XL	11
DL52/63	110	ST76 70 W	16
DL53	112	ST76 1x400W HST VG	17
DL63	108	ST76 1x400W HST	18
DL67	102	ST76 2x400W	19
DL70	90	ST76 1000W HST	20
DL88	89	ST76 1x400 FC2	21
DL90A	93	ST76 200W HALO	23
DL90AL	92	ST76 500W HALO	24
DL90E	97	ST76 1000W HALO	25
DL90S	94	ST80S	12
DL100	96	ST80M	13
DL110Q	114	ST80L	14
DL120	100	ST80XL	15
DL130	104		
DL167	103	TI14	128
DL170	105	TI20	129
DL225	113	TI65	133
DL660M	101	TL09	36
DL STAR	88	TL09 SIGN	120
DL VARIO L	99	TL40S/L	34
DL VARIO S	98	TL45	37
		TL53S/L	38
EL14	72	TL VARIO L	31
EL33	73	TL VARIO S	30
EL FLEX L	71		
EL FLEX S	70	VG76	22
EX40L	45		
EX40S	44	WL01	83
EX92S/L	46	WL28	141
		WL30	138
HL13	122	WL30Q	139
HL15	123	WL55	143
HL20/21	124	WL64	142
HL25	118	WL75Q	84
HL26	119	WL77	144
HL65	125	WL100	136
HL71	121	WL100Q	137
		WL282	140
		WL MELISSA	145

Setting standards for quality and service
when it comes to lighting solutions.

This is the world of LightPartner.



LightPartner®
Lichtsysteme GmbH & Co. KG
Am Mohrenshof 7
D-28277 Bremen / Germany

Fon: +49 (0)421 - 87 195-0
Fax: +49 (0)421 - 87 195-19
www.lightpartner.de

